

Product Categories

Channel Magnets

■ Ferrite Channel magnet with mounting hole 1" _____	01
■ Ferrite Channel magnet with hook, white powder coated 1" _____	02
■ Ferrite Channel magnet with loop _____	03
■ Ferrite Channel magnet with mounting holes 2.7" _____	04
■ Ferrite Channel magnet with mounting holes 3" _____	05
■ Ferrite Channel magnet flat 3" _____	06
■ Ferrite Channel magnet with threaded bush 3" _____	07
■ Ferrite Channel magnet with mounting holes 8" _____	08
■ Ferrite Channel magnet with cloth tape protection 8" _____	09
■ Ferrite Channel magnet with blue injection molded protection 8" _____	10
■ Ferrite Channel magnet with mounting holes 12" _____	11
■ Ferrite Channel magnet with mounting holes 24" _____	12
■ NdFeB Channel magnet with mounting hole 1" _____	13
■ NdFeB Channel magnet with hook, white powder coated 1" _____	14
■ NdFeB Channel magnet with mounting holes 3" _____	15

NdFeB Pot Magnets

■ NdFeB flat pot magnet with countersunk _____	16
■ Oval shape NdFeB pot magnet _____	17
■ NdFeB flat pot magnet with screw hole _____	18
■ NdFeB flat pot magnet with threaded bush _____	19
■ NdFeB flat pot magnet with threaded stud _____	20
■ NdFeB flat pot magnet with through hole _____	21
■ NdFeB flat pot magnet _____	22
■ NdFeB flat pot magnet with internal threaded hole _____	23
■ NdFeB flat pot magnet with stainless steel cover _____	24
■ NdFeB flat pot magnet with hook _____	25
■ NdFeB flat pot magnet with eyelet _____	26
■ NdFeB pot magnet with countersunk and eyebolt _____	27
■ Double sided NdFeB pot magnet with eyebolt _____	28
■ NdFeB flat pot magnet with hook, white powder coated _____	29
■ NdFeB flat pot magnet with eyelet, white powder coated _____	30
■ NdFeB flat pot magnet with hook in different colors _____	31
■ NdFeB deep pot magnets with hook _____	32
■ NdFeB pot magnet with swivel hook and rubber cap _____	33
■ NdFeB deep pot magnet with threaded hole _____	34
■ NdFeB deep pot magnet with threaded stud _____	35
■ NdFeB deep pot magnet flat _____	36
■ NdFeB deep pot magnet with brass body, blue epoxy _____	37
■ NdFeB deep pot magnet with threaded neck _____	38
■ NdFeB rectangular magnet with T handle and rubber cap _____	39

Ferrite Pot Magnets

■ Ferrite flat pot magnet with hook, white powder coated	40
■ Ferrite flat pot magnet with hook	41
■ Ferrite flat pot magnet with through hole	42
■ Ferrite pot magnet with countersunk hole	43
■ Ferrite flat pot magnet with hook in different colors	44
■ Ferrite flat pot magnet with threaded bush	45
■ Ferrite flat pot magnet	46
■ Ferrite flat pot magnet with buckle	47
■ Ferrite flat pot magnet with clinch-nut	48
■ Ferrite flat pot magnet with clip in different colors	49
■ Ferrite flat pot magnet with clip	50
■ Ferrite flat pot magnet with loop	51
■ Ferrite flat pot magnet with metal hook	52
■ Ferrite pot magnet with J hook	53
■ Ferrite white powder coated magnet with swivel hook	54
■ Ferrite pot magnet with metal rod	55

Rubber Coated Magnets

■ NdFeB rubber coated magnet with bore and counterbore	56
■ NdFeB rubber coated magnet with screw hole	57
■ NdFeB rubber coated magnet with female thread	58
■ NdFeB rubber coated magnet with screw bush	59
■ NdFeB rubber coated magnet with threaded stud	60
■ Rectangular NdFeB rubber coated magnet with female thread	61
■ NdFeB rubber coated magnet with J hook, rectangular	62

Office Magnets

■ Ferrite memo magnet with handle, white powder coated	63
■ Ferrite white powder coated magnet with knob	64
■ NdFeB memo magnet with brushed finish	65
■ NdFeB memo magnet with handle, lathe machined	66
■ NdFeB memo magnet with notch	67
■ NdFeB memo magnet with plastic case	68
■ Memo magnet pick-up with key ring	69
■ Plastic handle memo magnet pick-up	70

Plastic Cased Magnets

■ Plastic cased magnet with bore and counterbore	71
■ Plastic cased magnet with eyelet	72
■ Plastic cased magnet with hook	73
■ Plastic cased magnet with loop	74
■ Boot shape magnetic base	75

Magnetic Banner Hanger

■ Ferrite channel magnet with PVC gripper	76
■ Circular magnetic base with clip	77
■ Magnetic banner holder with grey base and tube	78
■ Plastic frame magnetic base with clip	79
■ Rectangular magnetic banner hanger with L aluminum tube and hooks	80
■ NdFeB self-adhesive magnet	81
■ NdFeB magnetic document holder	82

Flexible Rubber Magnet

■ Magnetic foil with transparent sheet	83
■ Flexible magnet tape with self-adhesive	84
■ Flexible rubber magnet with self-adhesive	85
■ Flexible rubber magnet with PVC vinyl	86
■ Plain flexible rubber magnet	87
■ Magnetic C profile	88

Shuttering Magnets

■ NdFeB magnetic fixing plate for socket system	89
■ NdFeB magnetic nailing plate	90
■ NdFeB magnetic recess former	91
■ NdFeB rubberized magnetic recess former	92
■ NdFeB shuttering magnet	93

Magnetic Separation and Filtration

■ Rectangular grate magnet	94
■ Round grate magnet	95
■ Magnetic pulley	96

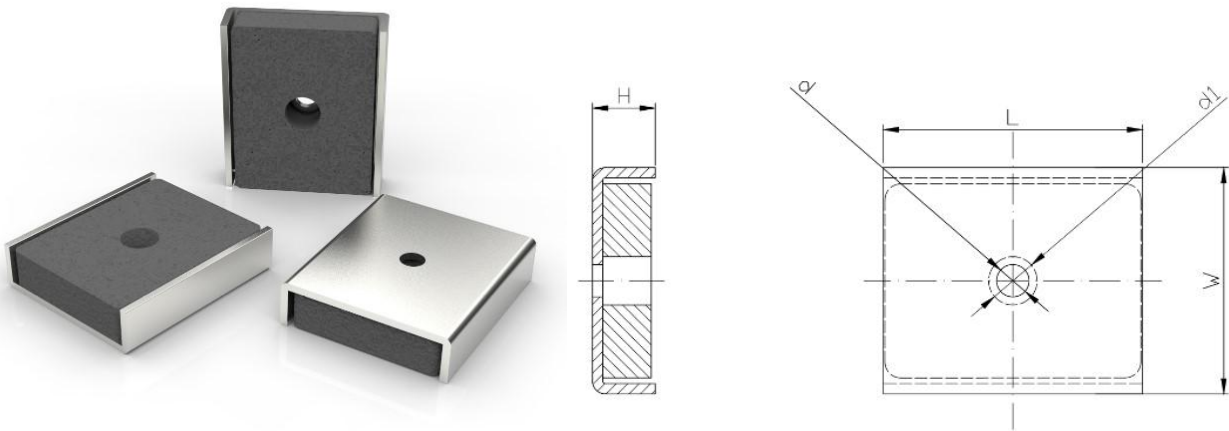
Magnetic Base

■ 60101 ON/OFF type magnetic base	97
■ 60210 Magnetic indication stand	98
■ 60301 Magnetic stand with fine adjustment	99
■ 60405 Beam-shaped structure	100
■ 60615 DIN series	101
■ 60710 Hydraulic universal magnetic stand	102
■ 60810 Mechanical universal	103
■ 60920 Magnetic base with flexible stem	104
■ 61615 ST-B Magnetic stand	105
■ 61805 ECD-GT type measuring table	106
■ 62105 Magnetic V-block	107
■ 62405 Magnetic square type block	108
■ 63501 Diamond NIB holder	109

Accessories

■ Rubber boot for ferrite pot magnet	_____	110
■ Rubber boot for NdFeB pot magnet	_____	111
■ Steel plate	_____	112
■ Hook and eyebolt	_____	113

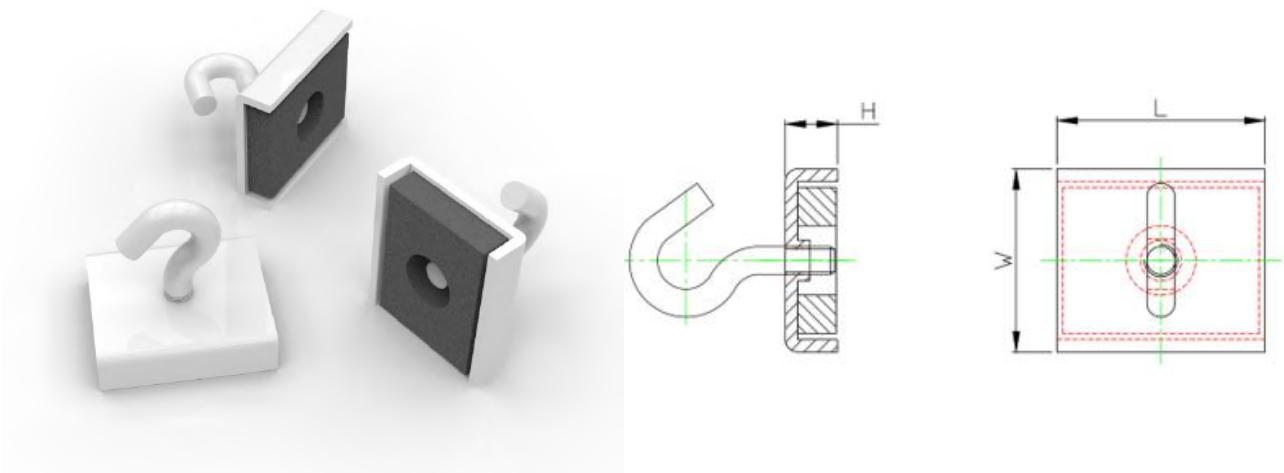
Ferrite channel magnet with mounting hole 1"



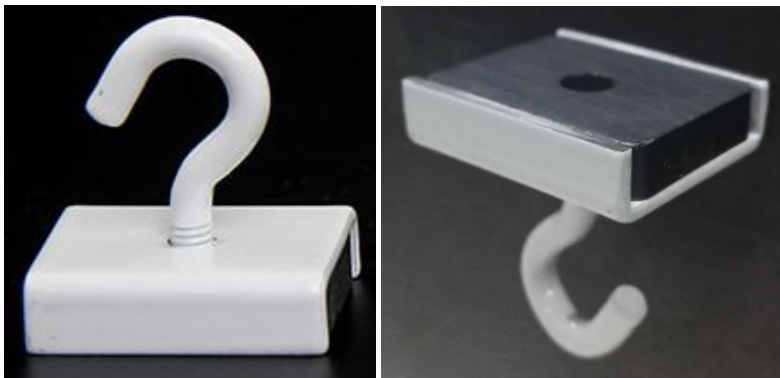
Item No.	L	W	H	Force			Weight
	mm	mm	mm	Kg	N	Lbs	g
CHFL1B	25.4	22.23	6.35	4	39	9	16.7



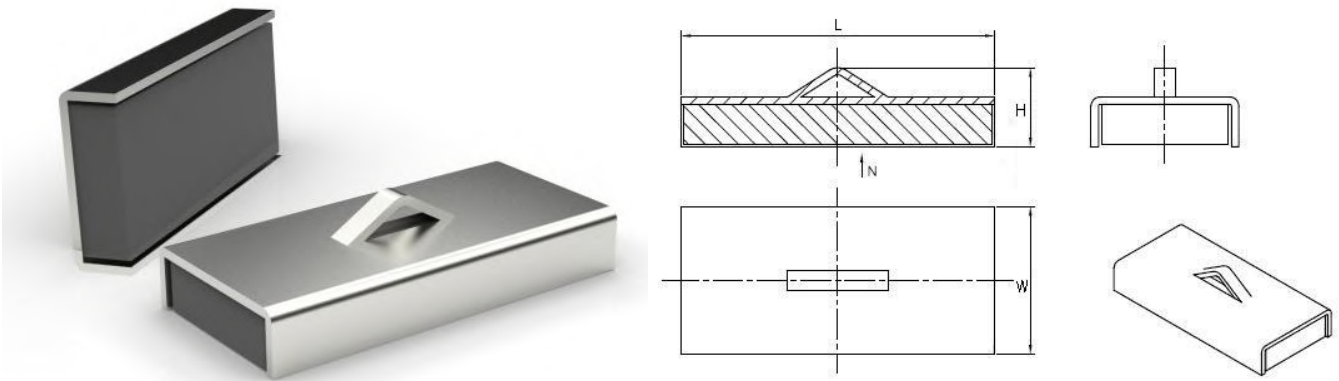
Ferrite channel magnet with hook, white powder coated 1"



Item No.	L	W	H	Force		
	mm	mm	mm	Kg	N	Lbs
CHFL1K-W	25.4	22.7	6.7	4	39	9



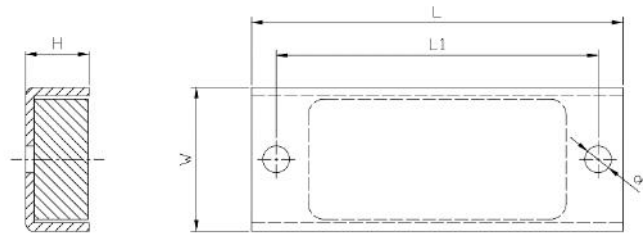
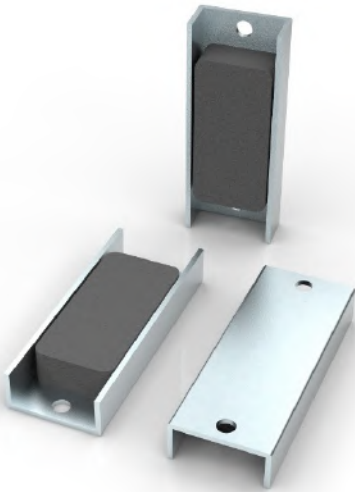
Ferrite channel magnet with loop



Item No.	L	W	H	Force		
	mm	mm	mm	Kg	N	Lbs
CHFL1V	25.4	22.22	10.8	2	22	5
CHFL2V	50.8	24	12.85	6	62	14



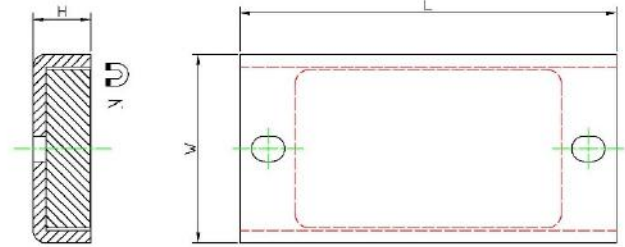
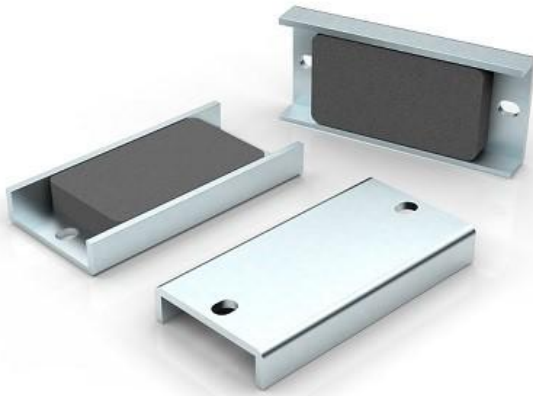
Ferrite channel magnet with mounting holes 2.7"



Item No.	L	W	H	Force			Weight
	mm	mm	mm	Kg	N	Lbs	g
CHFL2.7B	68.58	26.42	11.63	11	108	24	85



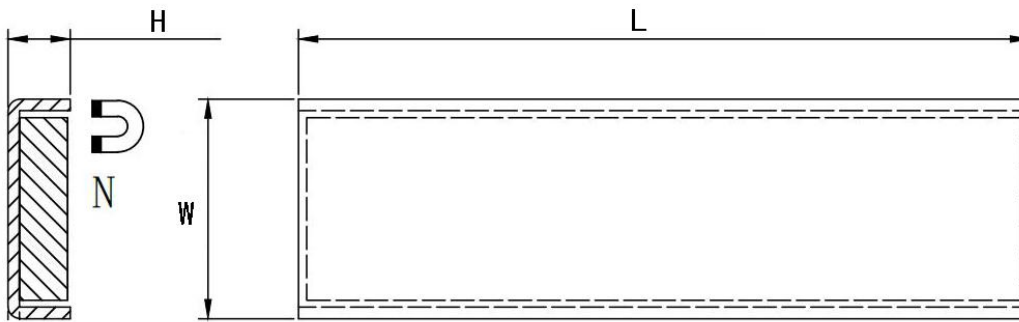
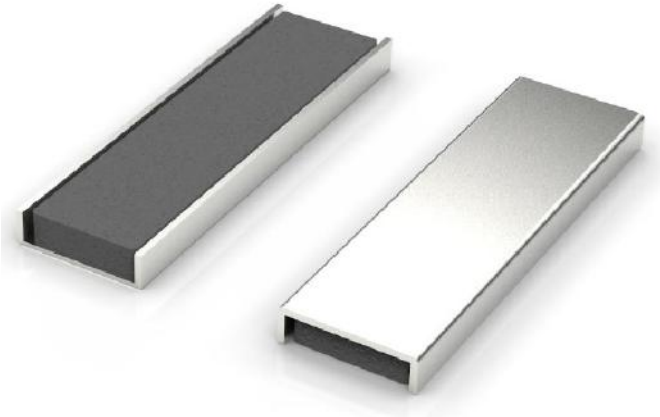
Ferrite channel magnet with mounting holes 3"



Item No.	L	W	H	Force			Weight
	mm	mm	mm	Kg	N	Lbs	g
CHFL3B	76.2	38.1	11.61	27	264	59	148



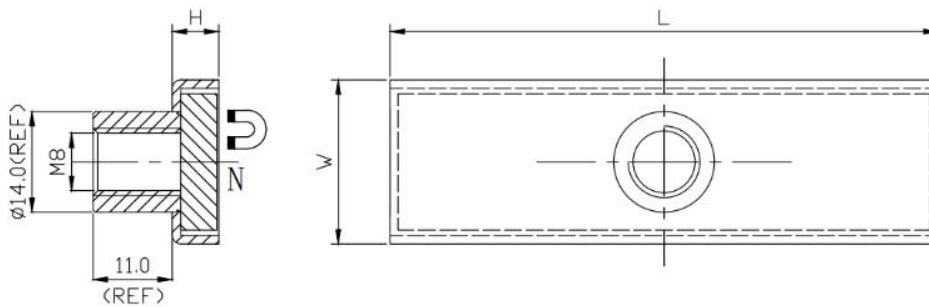
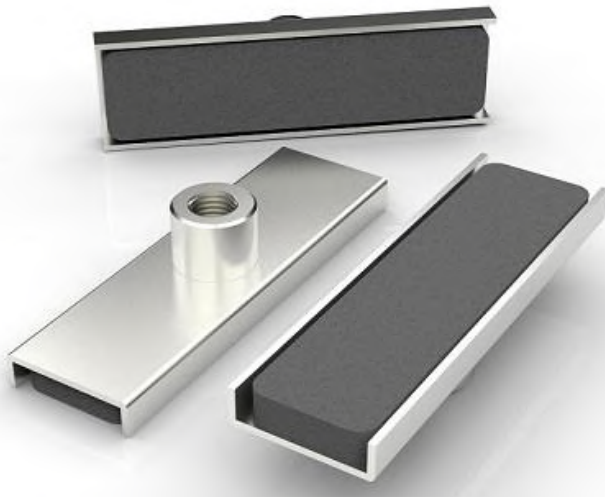
Ferrite channel magnet flat 3"



Item No.	L	W	H	Force		
	mm	mm	mm	Kg	N	Lbs
CHFL3	76.2	22.86	6.48	10	98	22



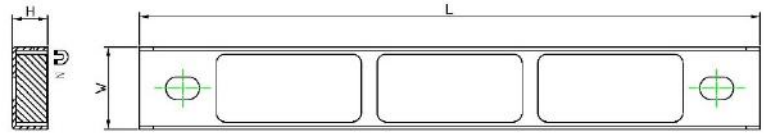
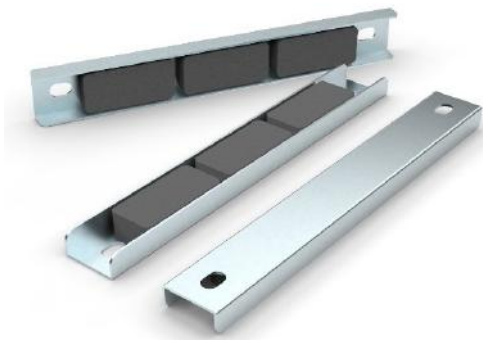
Ferrite channel magnet with threaded bush 3"



Item No.	L	W	H	Force		
	mm	mm	mm	Kg	N	Lbs
CHFL3F	76.2	22.86	6.48	10	98	22



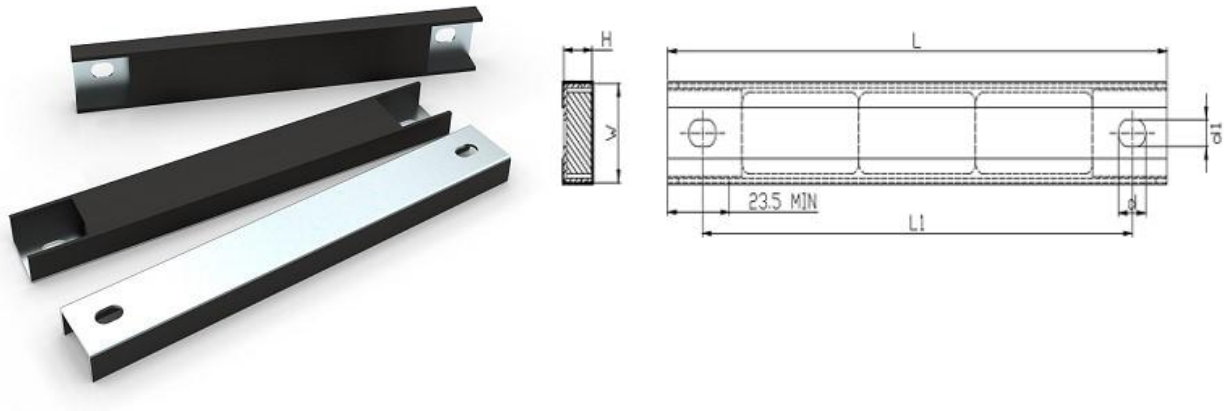
Ferrite channel magnet with mounting holes 8"



Item No.	L	W	H	Force			Weight
	mm	mm	mm	Kg	N	Lbs	g
CHFL8B	203.2	26.64	11.5	27	264	59	234



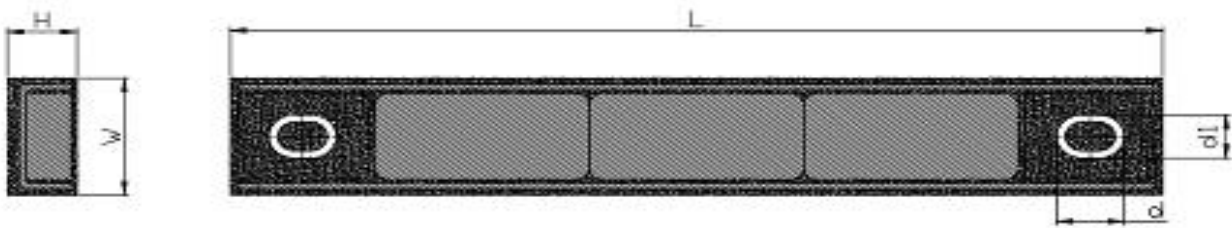
Ferrite channel magnet with cloth tape protection 8"



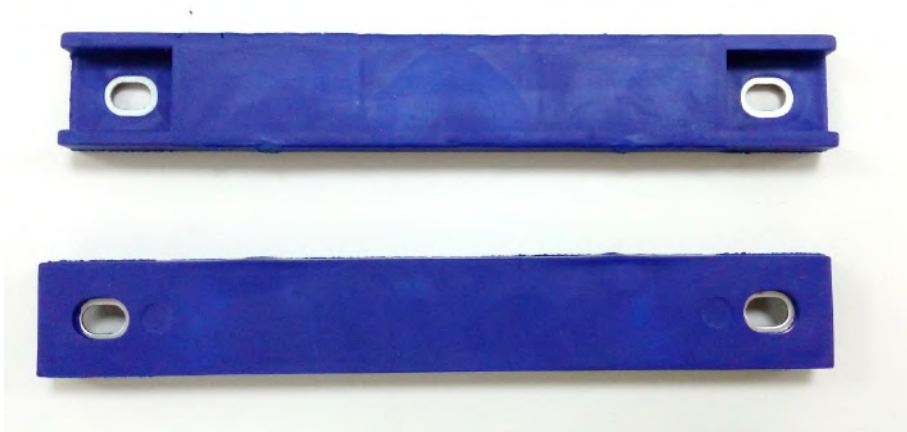
Item No.	L	W	H	Force		
	mm	mm	mm	Kg	N	Lbs
CHFL8B-CLOTH	203.2	27.8	11.8	6	59	13



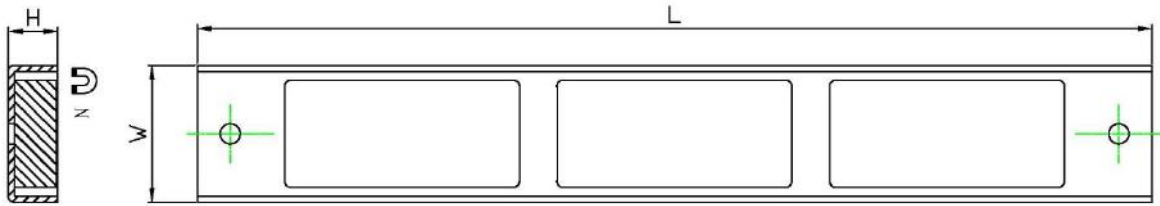
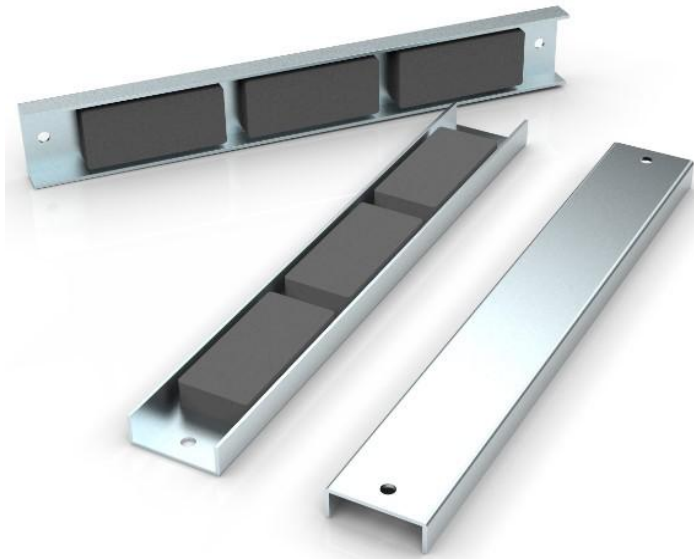
Ferrite channel magnet with blue injection molded protection 8"



Item No.	L	W	H	Force		
	mm	mm	mm	Kg	N	Lbs
CHFL8B-TPR	207	30	15.5	6	59	13



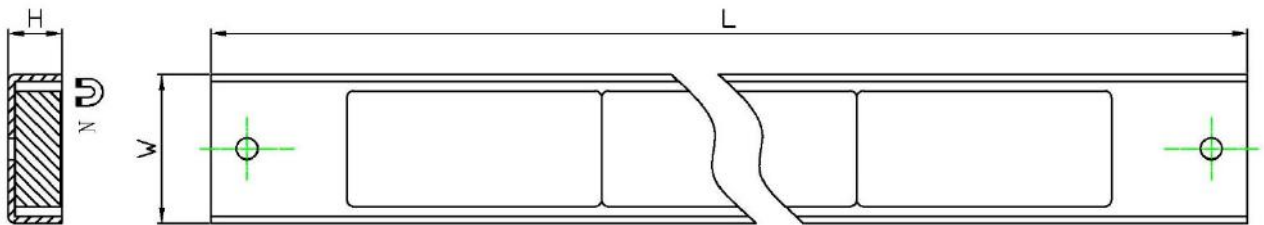
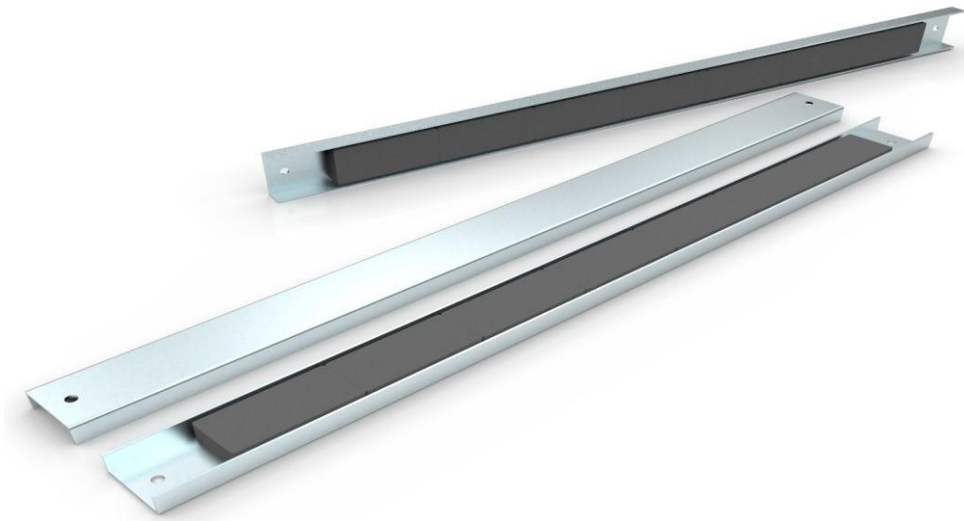
Ferrite channel magnet with mounting holes 12"



Item No.	L	W	H	Force			Weight
	mm	mm	mm	Kg	N	Lbs	g
CHFL12B	304.8	43.69	15.75	68	666	149	789.5



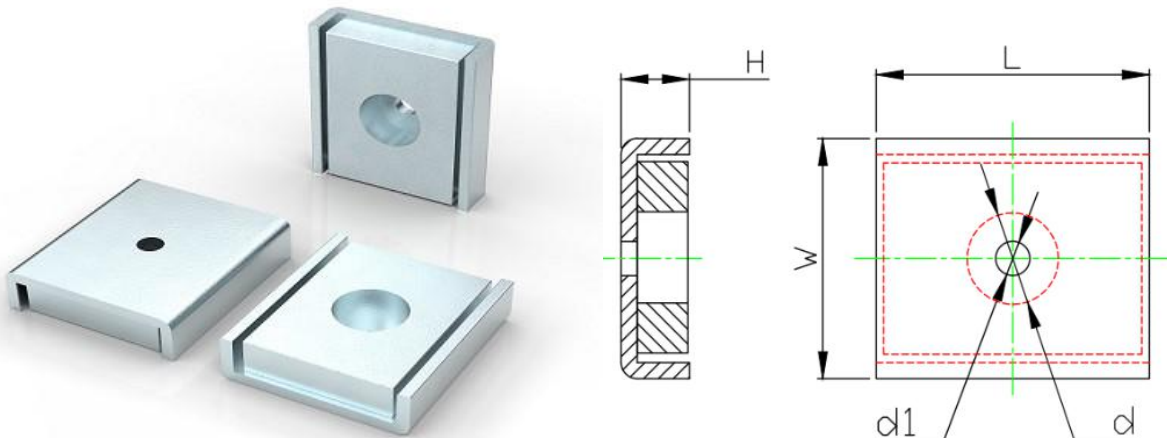
Ferrite channel magnet with mounting holes 24"



Item No.	L	W	H	Force			Weight
	mm	mm	mm	Kg	N	Lbs	g
CHFL24B	609.6	43.69	15.75	50	490	110	1764



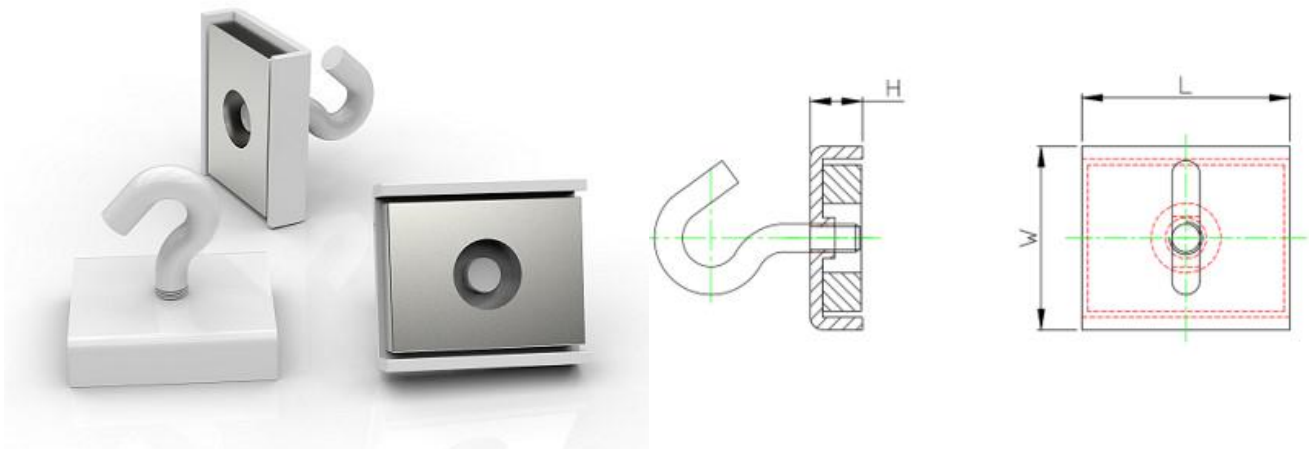
NdFeB channel magnet with mounting hole 1"



Item No.	L	W	H	d	d1	Force		
	mm	mm	mm	mm	mm	Kg	N	Lbs
CHNL1B	25.4	22.35	6.35	8.5	3.2	15	147	35



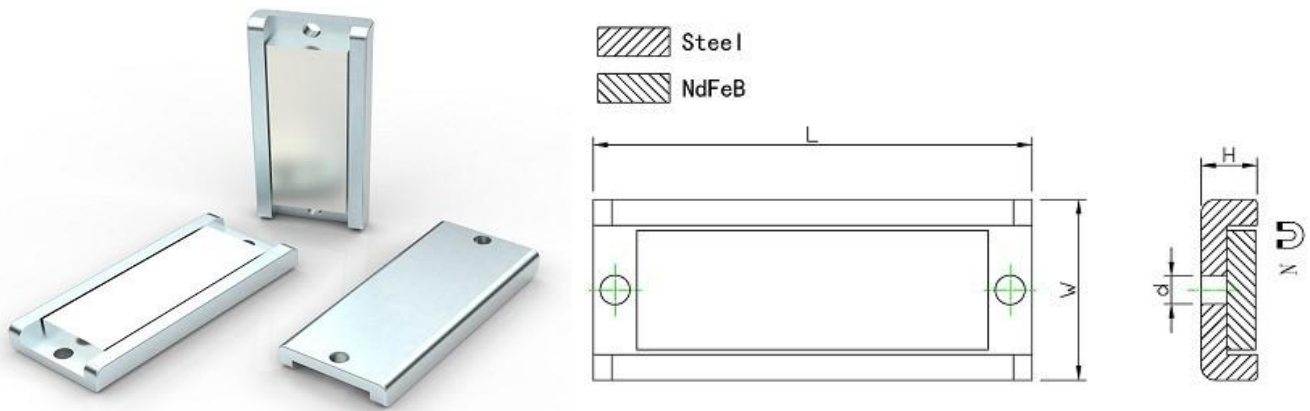
NdFeB channel magnet with hook, white powder coated 1"



Item No.	L	W	H	Force		
	mm	mm	mm	Kg	N	Lbs
CHNL1K-W	25.4	22.7	6.35	10	98	22



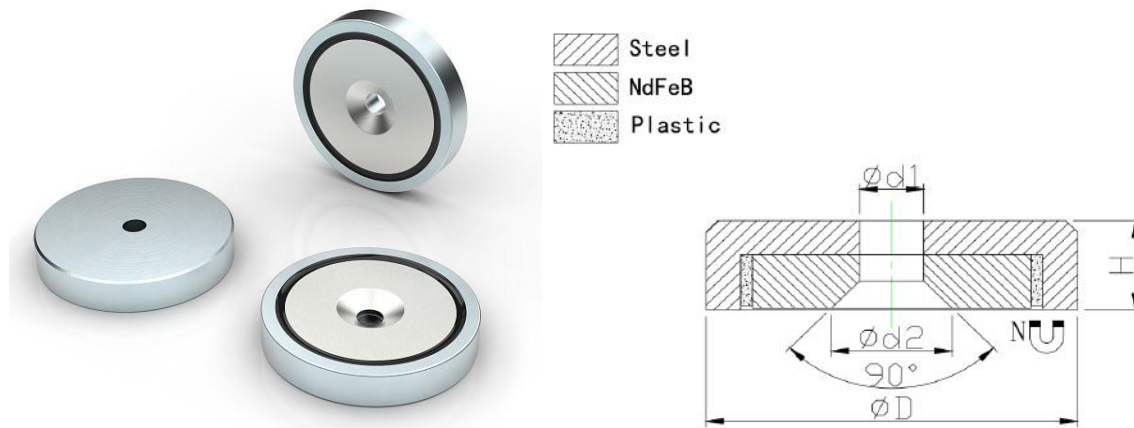
NdFeB channel magnet with mounting holes 3"



Item No.	L	W	H	d	Force			weight
	mm	mm	mm	mm	Kg	N	Lbs	g
CHNL3B	76.2	31.75	9.7	5.16	45	441	99	150



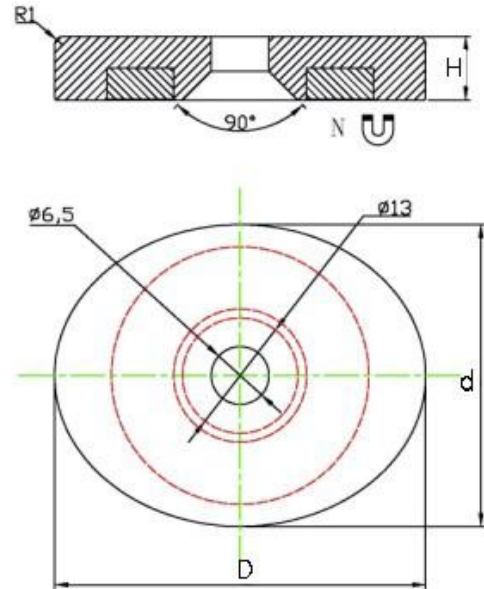
NdFeB flat pot magnet with countersunk



Item No.	D	H	d1	d2	Force			Weight
	mm	mm	mm	mm	Kg	N	Lbs	g
M-RBNC13	13	4.5	3.5	6.6	4	40	9	4
M-RBNC16	16	4.5	3.5	6.6	7	75	17	6
M-RBNC20	20	6	4.5	9.3	10	105	23	13
M-RBNC25	25	7	4.5	9	16	160	36	24
M-RBNC32	32	7	5.5	11	31	310	69	39
M-RBNC40	40	8	5.5	10.3	51	500	112	73
M-RBNC60	60	15	8.5	16	112	1097	246	250
M-RBNC75	75	18	10.5	19	162	1587	357	480



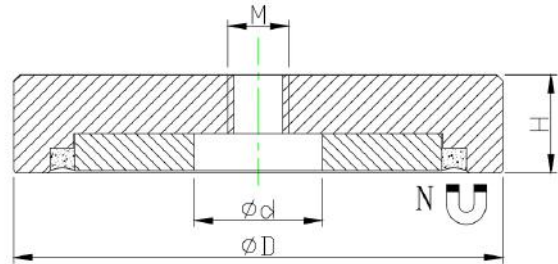
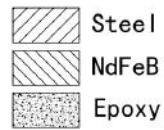
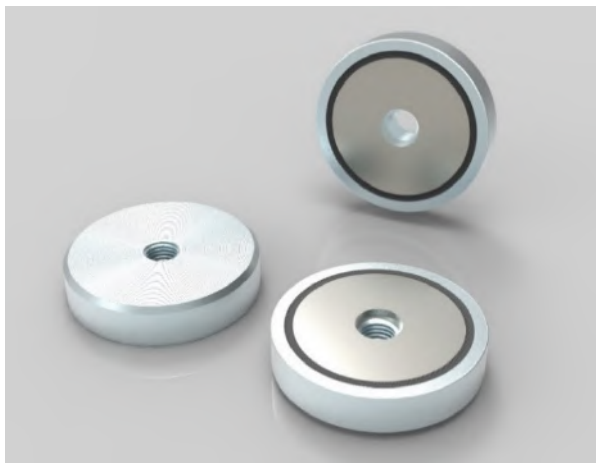
Oval shape NdFeB pot magnet



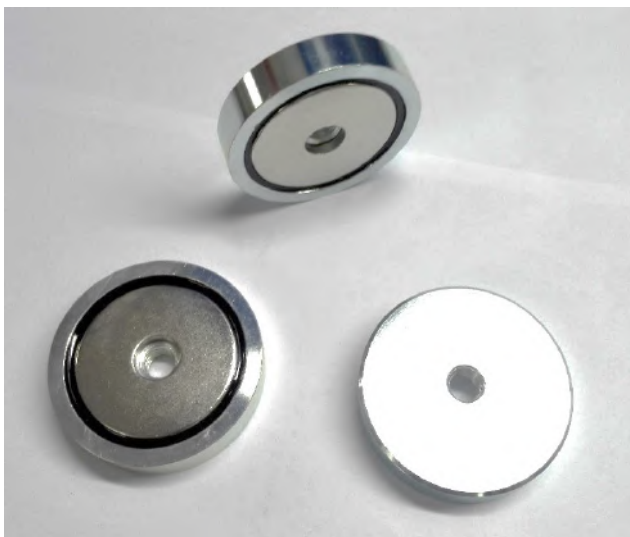
Item No.	D	d	H	Force		
	mm	mm	mm	Kg	N	Lbs
8NGXXC4102	42	34	7.2	34	333	74



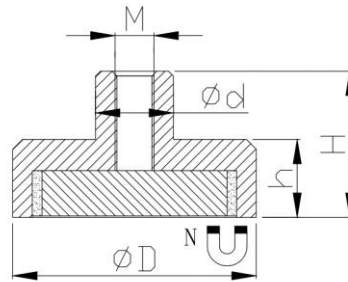
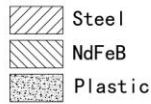
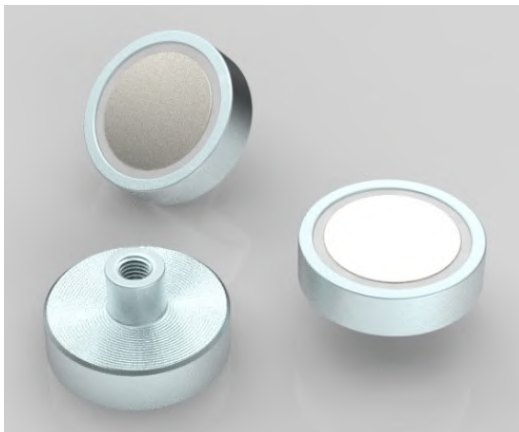
NdFeB flat pot magnet with screw hole



Item No.	D	d	H	M	Force			Weight
	mm	mm	mm		Kg	N	Lbs	g
M-RBNB25F	25	4.5	7	M4	16	160	36	24
M-RBNB32F	32	5.5	7	M5	33	330	74	40
M-RBNB40F	40	10.5	8	M5	51	500	112	74
M-RBNB50F	50	10.5	10	M8	81	800	180	140
M-RBNB60F	60	8.5	15	15	95	931	209	250
M-RBNB63F	63	11.7	14	M10	112	1100	247	315
M-RBNB75F	74.6	11.7	15	M10	178	1750	393	479



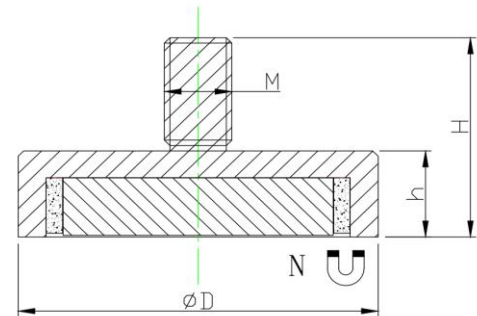
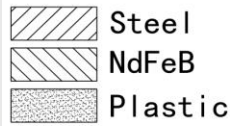
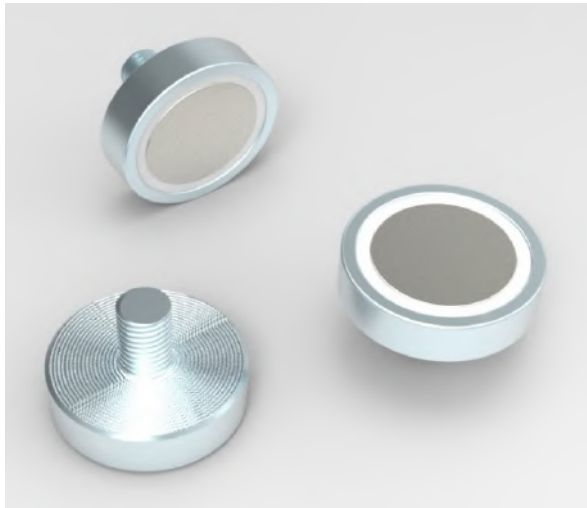
NdFeB flat pot magnet with threaded bush



Item No.	D	d	H	h	M	Force			Weight
	mm	mm	mm	mm		Kg	N	Lbs	g
M-TNE6F	6	6	11.5	4.5	M3	0.5	5	1	2
M-TNE8F	8	6	11.5	4.5	M3	1.3	13	3	3
M-TNE10F	10	6	11.5	4.5	M3	2.5	25	5	4
M-TNE13F	13	6	11.5	4.5	M3	6	60	13	5
M-TNE16F	16	6	11.5	4.5	M4	9	95	21	7
M-TNE20F	20	8	13	6	M4	14	140	31	16
M-TNE25F	25	8	14	7	M4	20	200	45	27
M-TNE32F	32	10	15.5	7	M5	35	350	78	45
M-TNE40F	40	10	18	8	M6	68	670	150	80
M-TNE50F	50	15	18	9	M8	75	735	165	170
M-TNE60F	60	14	15	30	M8	113	1107	249	263
M-TNE75F	75	16	15	34	M10	164	1607	361	515



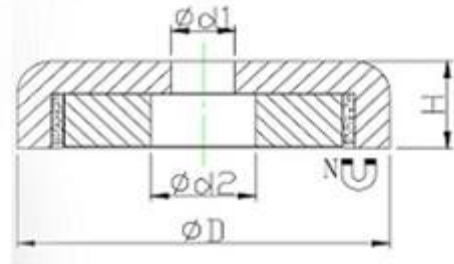
NdFeB flat pot magnet with threaded stud



Item No.	D	H	h	M	Force			Weight
	mm	mm	mm		Kg	N	Lbs	g
M-TNE10M	10	12.5	4.5	M4	2.5	25	5	3
M-TNE13M	13	12.5	4.5	M5	6	60	13	5
M-TNE16M	16	12.5	4.5	M6	9	95	21	8
M-TNE20M	20	16	6	M6	14	140	31	15
M-TNE25M	25	17	7	M6	20	200	45	27
M-TNE32M	32	17	7	M6	35	350	78	42
M-TNE40M	40	20	8	M8	68	670	150	80
M-TNE48M	48	24	11.5	M8	85	833	187	135
M-TNE60M	60	30	15	M8	125	1225	275	260
M-TNE75M	75	34	15	M10	164	1607	361	550



NdFeB flat pot magnet with through hole

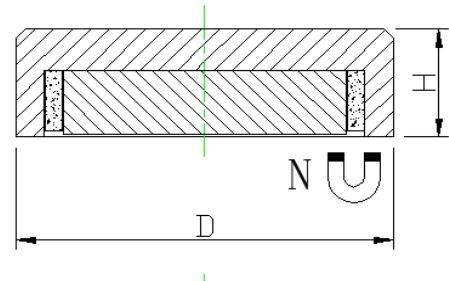
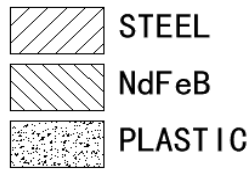


Item No.	D	d1	d2	H	Force			Weight
	mm	mm	mm	mm	Kg	N	Lbs	g
RBNB16	16	3.5	6.5	5	4	39	9	6
RBNB20	20	4.5	8	7	6	58	13	12
RBNB25	25	5.5	9	8	14	137	30	23
RBNB32	32	5.5	9	8	23	225	50	36
RBNB42	42	6.5	11	9	32	313	70	73
RBNB48	48	8.5	15	11.5	63	617	138	110
RBNB60	60	8.5	15	15	95	931	209	260
M-RBNB75	75	10.5	18	18	155	1519	341	429

Detailed: Steel pot punched or lathe machined (with M in beginning of part number).



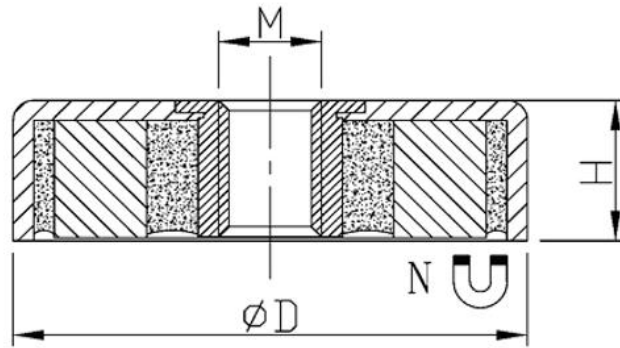
NdFeB flat pot magnet



Item No.	D	H	Force			Weight
	mm	mm	Kg	N	Lbs	g
M-RBNE6	6	4.5	0.5	5	1	1
M-RBNE8	8	4.5	1.3	13	3	2
M-RBNE10	10	4.5	2.5	25	5	3
M-RBNE13	13	4.5	6	60	13	4
M-RBNE16	16	4.5	9	95	21	6
M-RBNE20	20	6	14	140	31	14
M-RBNE25	25	7	20	200	45	25
M-RBNE32	32	7	35	350	78	41
M-RBNE42	42	9	68	666	149	85
M-RBNE48	48	11.5	85	833	187	130
M-RBNE60	60	15	125	1225	275	260



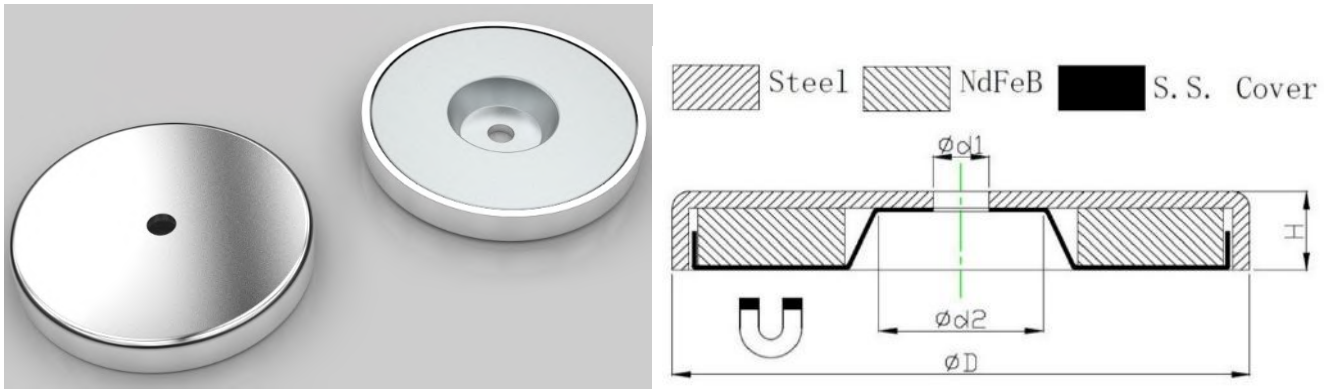
NdFeB pot magnet with internal threaded hole



Item No	D	H	M	Force			Weight
	mm	mm		Kg	N	Lbs	g
RBNB10F	10	4.5	M3	1.1	11	2.4	3
RBNB13F	13	4.5	M3	3	29	6	5
RBNB16F	16	4.5	M4	5	50	11	7
RBNB20F	20	6	M4	7	73	16	11
RBNB25F	25	7	M5	14	139	31	21
RBNB32F	32	7	M6	26	254	57	36
RBNB40F	40	8	M6	40	392	88	68
RBNB48F	48	11.5	M8	58	568	127	137
RBNB60F	60	15	M8	92	901	202	263



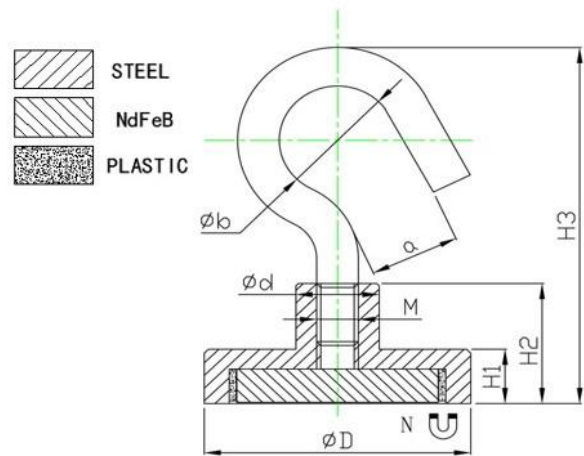
NdFeB flat pot magnet with stainless steel cover



Item No.	D	H	d1	d2	Force			Weight
	mm	mm	mm	mm	Kg	N	Lbs	g
RBNM30	30.70	4.70	3.20	6.00	15	155	35	21
RBNM40	36.00	6.90	4.75	9.65	29	289	65	38
RBNM50	51.71	7.60	4.90	15.24	40	400	90	65
RBNM60	60.32	8.90	6.86	16.26	50	489	110	117
RBNM70	68.20	9.50	6.98	17.48	63	622	140	155
RBNM80	81.30	10.60	7.20	22.35	88	867	195	210
RBNM90	124.46	12.70	12.70	33.00	136	1334	300	540



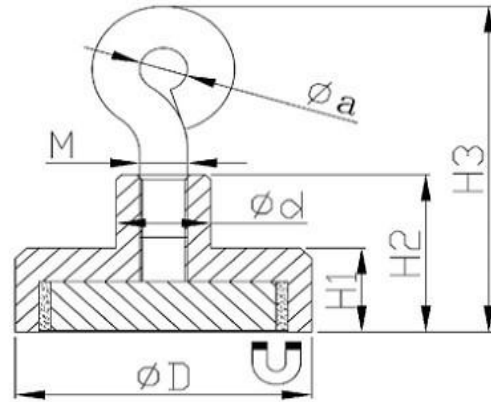
NdFeB flat pot magnet with hook



Item No.	D	d	H1	H2	H3	a	b	M	Force			Weight
	mm	mm	mm	mm	mm	mm	mm		Kg	N	Lbs	g
M-TNE10K	10	5	4.5	11.5	26	3.5	4	M3	3	29	6	5
M-TNE13K	13	5	4.5	11.5	26	3.5	4	M3	5	49	11	7
M-TNE16K	16	6	4.5	11.5	27	4.5	5.5	M4	8	78	17	11
M-TNE20K	20	8	6	13	29	4.5	5.5	M4	12	122	27	20
M-TNE25K	25	8	7	14	30	4.5	5.5	M4	18	176	39	30
M-TNE32K	32	10	7	15.5	45	11	14	M5	30	294	66	52
M-TNE40K	40	15	9	18	59	19	26	M6	55	539	121	115
M-TNE50K	50	15	9	18	62	17	23	M8	75	735	165	170
M-TNE63K	63	18	10	22	66	17	23	M8	105	1029	231	273



NdFeB flat pot magnet with eyelet



Item No.	D	d	H1	H2	H3	a	M	Force			weight
	mm	mm	mm	mm	mm	mm		Kg	N	Lbs	g
M-TNE16O	16	6	4.5	11.5	27	4.5	M4	8	78	17	10
M-TNE25O	25	8	7	14	30	4.5	M4	18	176	39	29
M-TNE32O	32	10	7	15.5	45	11	M5	30	294	66	53
M-TNE40O	40	15	9	18	59	19	M6	55	539	121	110



NdFeB pot magnet with countersunk and eyebolt



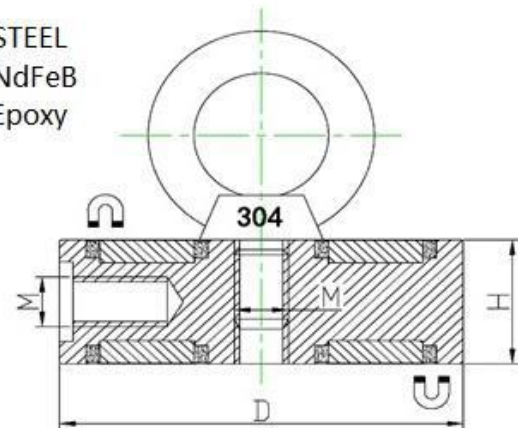
Item No.	D	H	M	Force			Weight
	mm	mm		Kg	N	Lbs	g
M-RBNB48R	48	18	8	50	490	110	295
M-RBNB60R	60	18	8	100	980	220	438
M-RBNB75R	75	20	10	200	1960	440	754
M-RBNB94R	94	20	10	300	2940	661	1151
M-RBNB116R	116	25	12	400	3920	881	2175
M-RBNB135R	135	25	12	600	5880	1322	2910



Double sided NdFeB pot magnet with eyebolt



 STEEL
 NdFeB
 Epoxy



Item No.	D	H	M	Force			Weight
	mm	mm		Kg	N	Lbs	g
M-RBNB48T	48	20	8	50x2	490x2	110x2	315
M-RBNB60T	60	20	8	100x2	980x2	220x2	475
M-RBNB75T	75	25	10	200x2	1960x2	440x2	1100
M-RBNB94T	94	35	10	300x2	2940x2	661x2	1860
M-RBNB116T	116	40	12	400x2	3920x2	881x2	3335
M-RBNB135T	135	40	12	600x2	5880x2	1322x2	4350



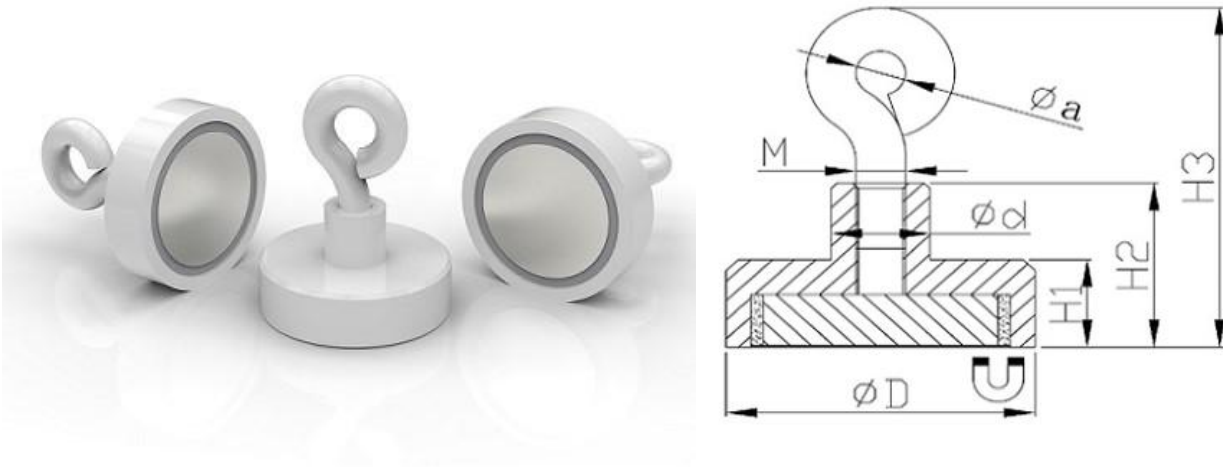
NdFeB flat pot magnet with hook, white powder coated



Item No.	D	d	H1	H2	H3	a	b	M	Force			color
	mm	mm	mm	mm	mm	mm	mm		Kg	N	Lbs	
M-TNE16K-W	16.3	6.3	4.8	11.8	27.3	4.2	5.2	M4	5	49	11	White
M-TNE25K-W	25.3	8.3	7.3	14.3	30.3	4.2	5.2	M4	18	176	39	White
M-TNE32K-W	32.3	10.3	7.3	15.8	45.3	10.8	13.7	M5	28	274	61	White
M-TNE40K-W	40.3	15.3	9.3	18.3	59.3	18.7	25.7	M6	39	382	86	White



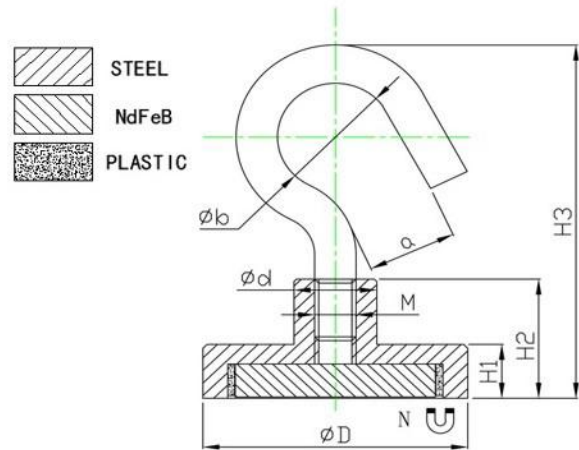
NdFeB flat pot magnet with eyelet, white powder coated



Item No.	D	d	H1	H2	H3	a	M	Force			weight g
	mm	mm	mm	mm	mm	mm		Kg	N	Lbs	
M-TNE16O-W	16.3	6.3	4.8	11.8	27.3	4.2	M4	5	49	11	11
M-TNE25O-W	25.3	8.3	7.3	14.3	30.3	4.2	M4	16	156	35	30
M-TNE32O-W	32.3	10.3	7.3	15.8	45.3	10.7	M5	28	274	61	56
M-TNE40O-W	40.3	15.3	9.3	18.3	59.3	18.7	M6	39	382	85	117



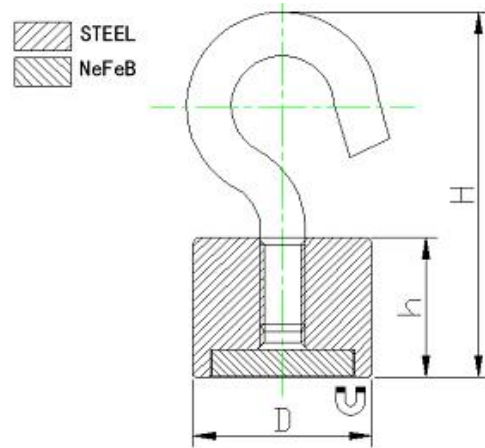
NdFeB flat pot magnets with hook in different colors



Item No.	D	d	H1	H2	H3	a	b	M	Force			Color
	mm	mm	mm	mm	mm	mm	mm		Kg	N	Lbs	
M-TNE20K-B	20.3	8.3	6.3	13.3	30.1	4.2	5.2	M4	13	127	28	Black
M-TNE20K-G	20.3	8.3	6.3	13.3	30.1	4.2	5.2	M4	13	127	28	Green
M-TNE32K-B	32.3	10.3	7.3	15.8	45.3	10.8	13.7	M5	28	274	61	Black
M-TNE32K-G	32.3	10.3	7.3	15.8	45.3	10.8	13.7	M5	28	274	61	Green



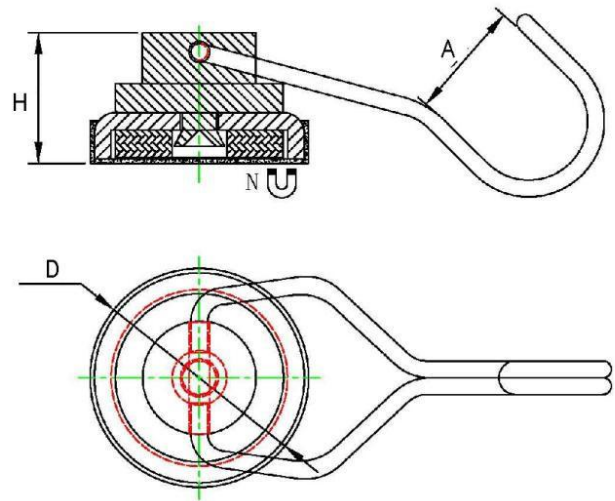
NdFeB deep pot magnet with hook



Item No	D	h	H	M	Force			Weight
	mm	mm	mm		Kg	N	Lbs	g
M-RBNE16K	16	12	30	M4	10	100	22	21
M-RBNE20K	20	16	40	M5	15	150	33	44
M-RBNE25K	25	16	40	M5	25	250	56	66



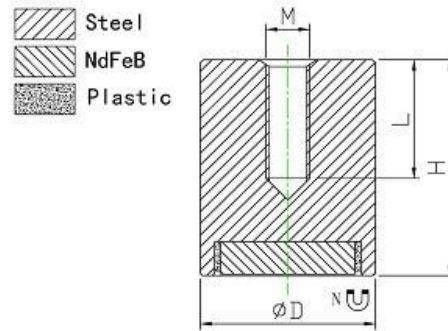
NdFeB pot magnet with swivel hook and rubber cap



Item No.	D	H	A	Force (When without the rubber cap)		
	mm	mm	mm	Kg	N	Lbs
FTNT-25R	26	15.5	14mm	20	196	44



NdFeB deep pot magnet with threaded hole

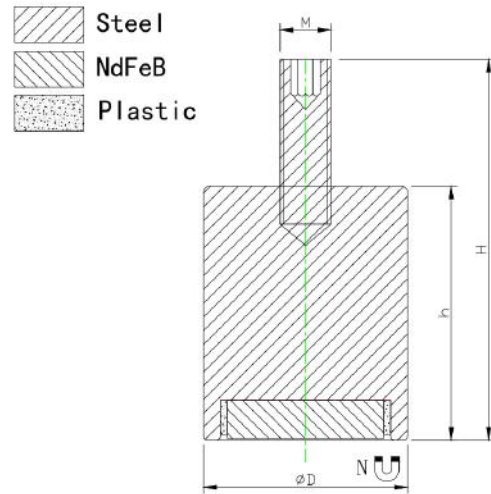


Item No.	D	H	MXL	Force			Weight
	mm	mm	mm	Kg	N	Lbs	g
M-RDNE6F	6	20	M3x5	0.6	6	1.3	4
M-RDNE8F	8	20	M3x5	1.2	12	2.6	7.5
M-RDNE10F	10	20	M4x7	2.4	24	5.3	11
M-RDNE13F	13	20	M4x7	6	60	13	20
M-RDNE16F	16	20	M4x7	9	90	20	30
M-RDNE20F	20	25	M6x9	13	135	30	58
M-RDNE25F	25	35	M6x9	19	190	42	131
M-RDNE32F	32	40	M8x12	34	340	76	243
M-RDNE40F	40	50	M8x12	71	700	157	480
M-RDNE50F	50	60	M10x12	102	1000	225	900
M-RDNE63F	63	65	M12x14	173	1700	382	1560

*H can be shortened or machined without being damaged.



NdFeB deep pot magnet with threaded stud

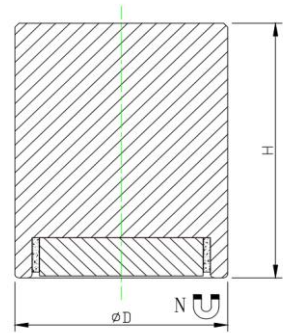
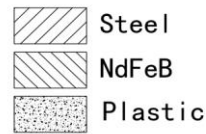


Item No.	D	H	h	M	Force			Weight
	mm	mm	mm		Kg	N	Lbs	g
M-RDNE16M	16	30	20	M4	9	90	20	30
M-RDNE20M	20	35	25	M6	13	135	30	58
M-RDNE25M	25	45	35	M6	19	190	42	131
M-RDNE32M	32	52	40	M8	34	340	76	243
M-RDNE40M	40	65	50	M8	71	700	157	490
M-RDNE50M	50	75	60	M10	102	1000	225	915
M-RDNE63M	63	85	65	M12	173	1700	382	1579

*H can be shortened or machined without being damaged.



NdFeB deep pot magnet flat

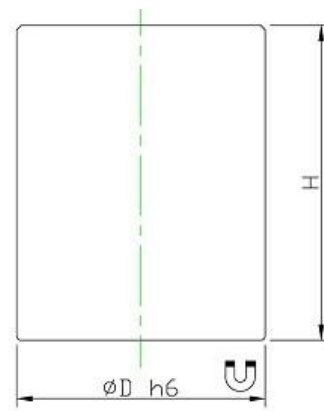
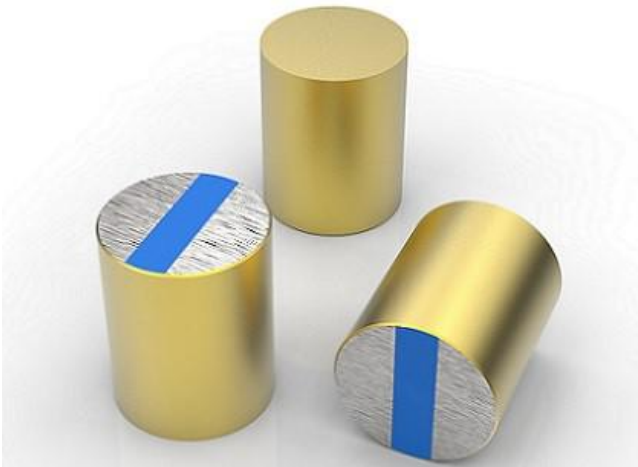


Item No.	D	H	Force			Weight
	mm	mm	Kg	N	Lbs	g
M-RDNE10	10	20	2.4	24	5.3	12
M-RDNE16	16	20	9	90	20	31
M-RDNE20	20	25	13	135	30	61
M-RDNE25	25	35	19	190	42	133

*H can be shortened or machined without being damaged.



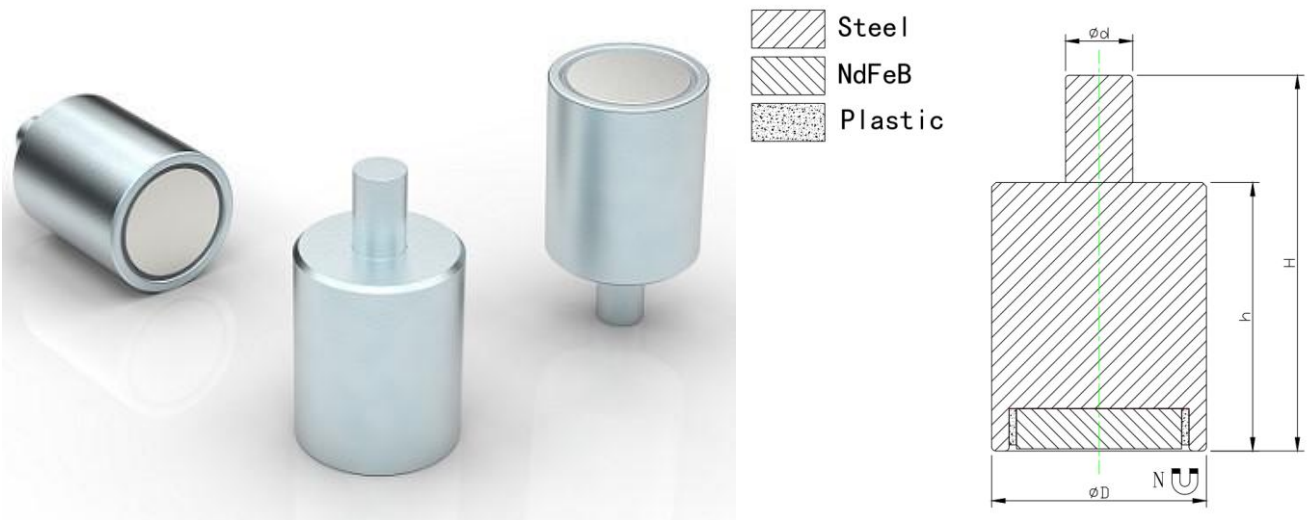
NdFeB deep pot magnet with brass body, blue epoxy



Item No.	D	H	Force			Weight
	mm	mm	Kg	N	Lbs	g
M-RDNW6	6	20	1	10	2.2	4.5
M-RDNW8	8	20	2.5	25	5.6	8
M-RDNW10	10	20	4.5	45	10	12
M-RDNW13	13	20	7	70	15	20
M-RDNW16	16	20	15	150	33	30
M-RDNW20	20	25	28	280	63	59
M-RDNW25	25	35	46	450	101	132
M-RDNW32	32	40	71	700	157	246



NdFeB deep pot magnet with threaded neck

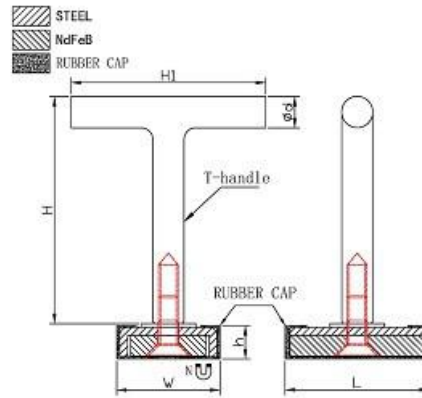


Item No.	D	d	H	h	Force			Weight
	mm	mm	mm	mm	Kg	N	Lbs	g
M-RDNE10P	10	4	28	20	2.4	24	5.3	13
M-RDNE16P	16	5	28	20	9	90	20	31
M-RDNE20P	20	6	33	25	13	135	30	61
M-RDNE25P	25	8	45	35	19	190	42	133

*H can be shortened or machined without being damaged.



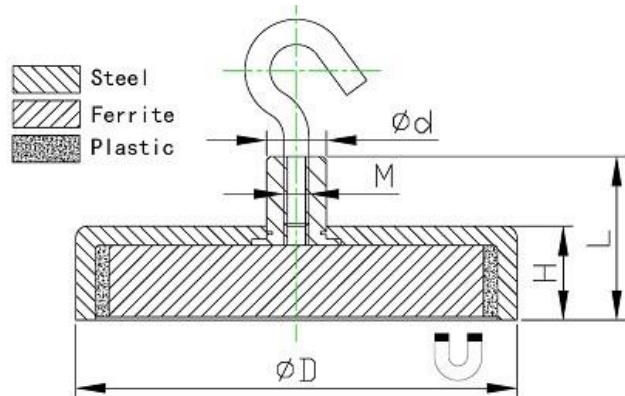
NdFeB rectangular magnet with T-handle and rubber cap



Item No.	Magnetic base(mm)			T-handle(mm)			Force			Weight
	L	W	h	d	H	H1	Kg	N	Lbs	g
8NGRUF5105	37	26.5	8.5	8	58	50	18	176	39	86



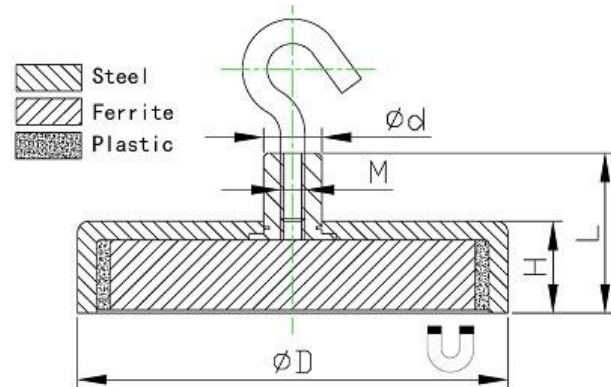
Ferrite flat pot magnet with hook, white powder coated



Item No.	D	H	L	d	M	Force			weight	Fixing
	mm	mm	mm	mm		Kg	N	Lbs	g	
TFE16K-W	16	4.5	11.5	6	M3	1	10	2	7	Hook
TFE20K-W	20	6	13	8	M4	3	30	6.7	14	Hook
TFE25K-W	25	7	15	8	M4	4	40	9	21	Hook
TFE32K-W	32	7	15	8	M4	8	80	18	33	Hook
TFE36K-W	36	7.7	16	8	M4	10	100	22	44	Hook
TFE40K-W	40	8	16.5	8	M4	12	125	28	56	Hook
TFE47K-W	47	9	17	8	M4	18	180	40	85	Hook
TFE50K-W	50	10	18.5	8	M4	22	220	49	107	Hook
TFE57K-W	57	10.5	18.5	8	M4	28	280	63	149	Hook
TFE63K-W	63	14	30	8	M4	35	350	78	214	Hook
TFE80K-W	80	18	28.5	12	M6	61	600	135	485	Hook eye



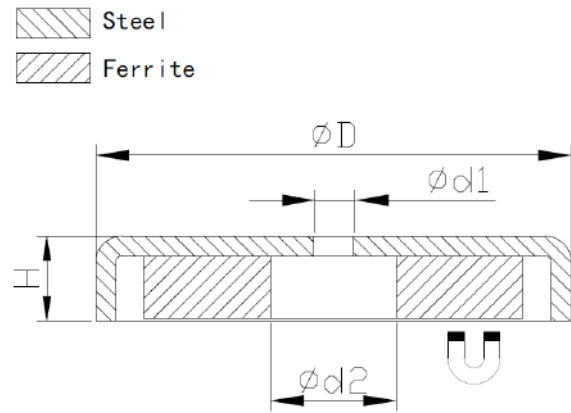
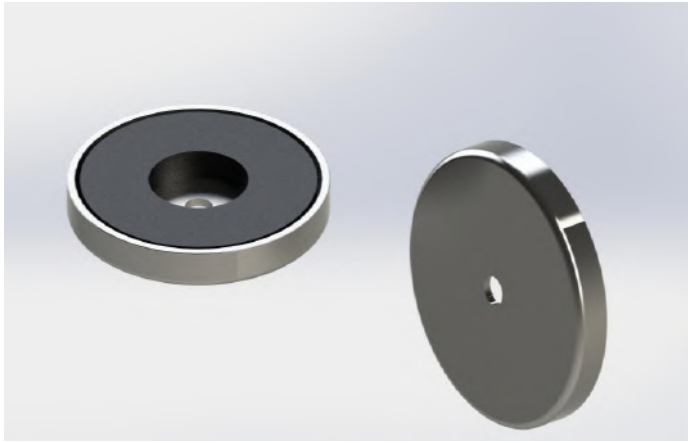
Ferrite flat pot magnet with hook



Item No.	D	H	L	d	M	Force			weight	Fixing
	mm	mm	mm	mm		Kg	N	Lbs	g	
TFE16K	16	4.5	11.5	6	M3	1.8	18	4	7	Hook
TFE20K	20	6	13	8	M4	3	30	6.7	14	Hook
TFE25K	25	7	15	8	M4	4	40	9	21	Hook
TFE32K	32	7	15	8	M4	8	80	18	33	Hook
TFE36K	36	7.7	16	8	M4	10	100	22	44	Hook
TFE40K	40	8	16.5	8	M4	12	125	28	56	Hook
TFE47K	47	9	17	8	M4	18	180	40	85	Hook
TFE50K	50	10	18.5	8	M4	22	220	49	107	Hook
TFE57K	57	10.5	18.5	8	M4	28	280	63	149	Hook
TFE63K	63	14	30	8	M4	35	350	78	214	Hook
TFE80K	80	18	28.5	12	M6	61	600	135	485	Hook eye



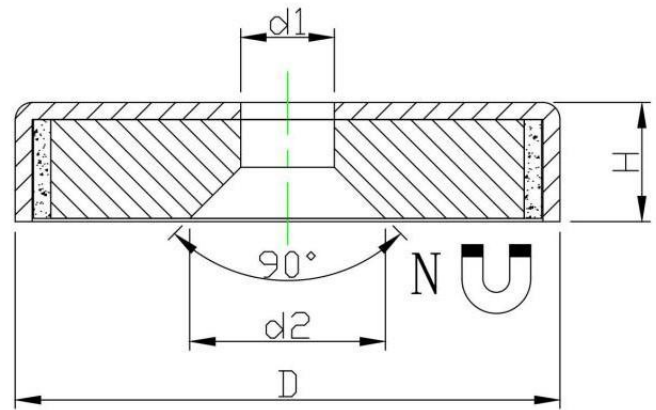
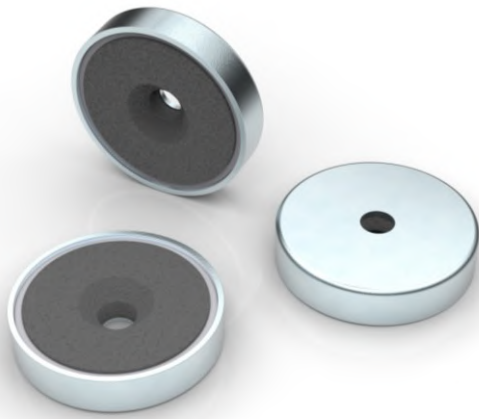
Ferrite flat pot magnet with through hole



Item No.	D	H	d1	d2	Force			Weight
	mm	mm	mm	mm	Kg	N	Lbs	g
RBFB20	30.86	4.83	3.96	6.5	5	49	11	16
RBFB30	32.00	4.57	3.81	10.5	5	53	12	16.5
RBFB36	36.00	6.60	4.83	9.5	7	66	15	32
RBFB50	51.56	7.39	4.83	22	16	155	35	66
RBFB60	60.33	8.89	6.86	24	22	222	50	111.5
RBFB70	66.68	9.35	7.11	25.4	36	356	80	154
RBFB75	73.91	9.40	7.11	25.4	38	378	85	183
RBFB80	81.28	10.54	7.11	32	45	445	100	241.5
RBFB85	96.27	12.96	12.7	32	54	534	120	420
RBFB90	124.46	12.44	12.7	45	95	934	210	684



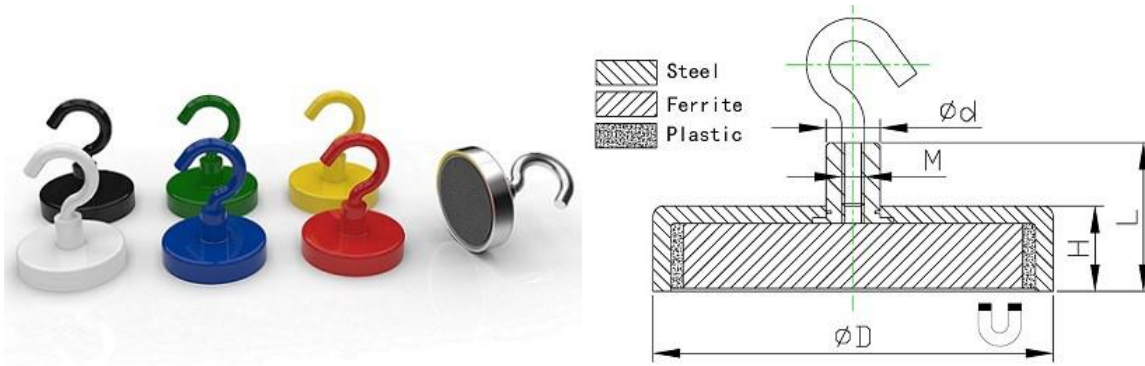
Ferrite pot magnet with countersunk hole



Item No.	D	d1	d2	H	Force			Weight
	mm	mm	mm	mm	Kg	N	Lbs	g
RBFC16	16	3.5	6.5	4.5	1.4	14	3.1	4
RBFC20	20	4.1	9.4	6	2.7	27	6	9
RBFC25	25	5.5	11.5	7	3.6	36	8	17
RBFC32	32	5.5	11.5	7	7.3	72	16.1	27
RBFC40	40	5.5	11.5	8	9.2	90	20.2	52



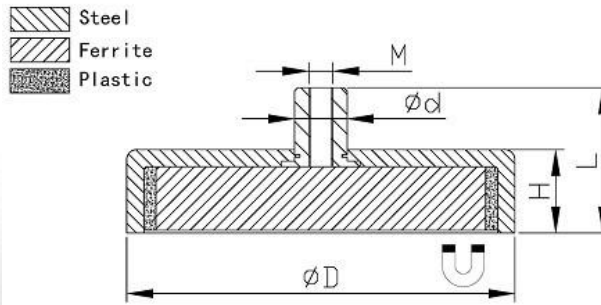
Ferrite flat pot magnet with hook in different colors



Item No.	D	H	L	d	M	Force			weight	Color
	mm	mm	mm	mm		Kg	N	Lbs	g	
TFE32K-B	32	7	15	8	M4	8	80	18	33	Black
TFE32K-W	32	7	15	8	M4	8	80	18	33	White
TFE32K-R	32	7	15	8	M4	8	80	18	33	Red
TFE32K-Y	32	7	15	8	M4	8	80	18	33	Yellow
TFE32K-G	32	7	15	8	M4	8	80	18	33	Green
TFE32K-BL	32	7	15	8	M4	8	80	18	33	Blue



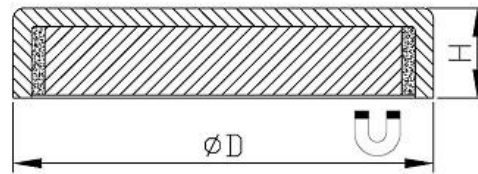
Ferrite flat pot magnet with threaded bush



Item No.	D	H	L	d	M	Force			Weight
	mm	mm	mm	mm		Kg	N	Lbs	g
TFE10F	10	4.5	11.5	6	M3	0.4	4	0.9	3
TFE13F	13	4.5	11.5	6	M3	1	10	2	4
TFE16F	16	4.5	11.5	6	M3	1.8	18	4	7
TFE20F	20	6	13	6	M3	3	30	6.7	14
TFE25F	25	7	15	8	M4	4	40	9	21
TFE32F	32	7	15	8	M4	8	80	18	33
TFE36F	36	7.7	16	8	M4	10	100	22	44
TFE40F	40	8	18	10	M5	12	125	28	59
TFE47F	47	9	17	8	M4	18	180	40	85
TFE50F	50	10	22	12	M6	22	220	49	111
TFE57F	57	10.5	22.5	12	M6	28	280	63	153
TFE63F	63	14	30	15	M8	35	350	78	247
TFE80F	80	18	34	20	M10	61	600	135	498
TFE100F	100	22	43	22	M12	92	900	202	956



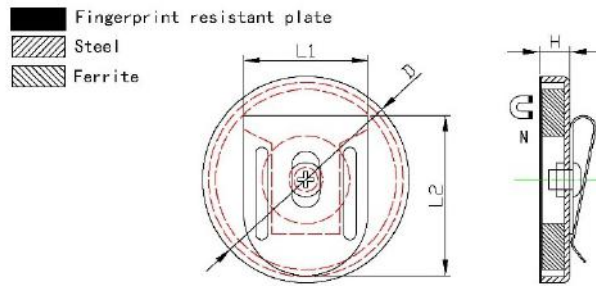
Ferrite flat pot magnet



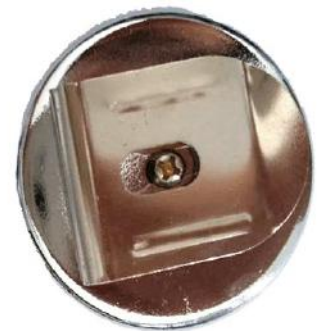
Item No.	D	H	Force			Weight
	mm	mm	Kg	N	Lbs	g
RBFE10	10	4.5	0.3	3	0.6	2
RBFE13	13	4.5	0.5	5	1.1	3
RBFE16	16	4.5	1.5	15	3.3	5
RBFE20	20	6	2.2	22	5	10
RBFE25	25	7	4	40	9	18
RBFE32	32	7	8	80	18	29
RBFE36	36	7.7	10	100	22	39
RBFE40	40	8	12	125	28	55
RBFE47	47	9	18	180	40	84
RBFE50	50	10	22	220	49	102
RBFE57	57	10.5	28	280	63	141
RBFE63	63	14	35	350	78	226
RBFE80	80	18	61	600	135	468
RBFE100	100	22	91	900	202	915



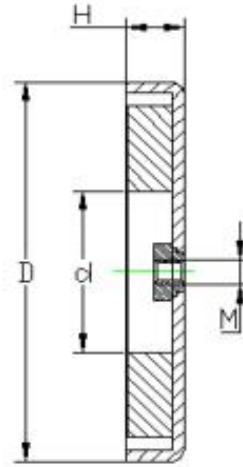
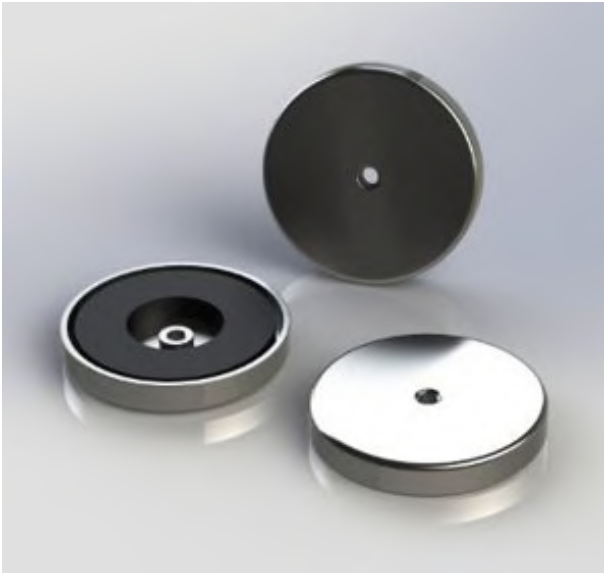
Ferrite flat pot magnet with buckle



Item No.	D	L1	L2	H	Force			weight
	mm	mm	mm	mm	Kg	N	Lbs	g
RBF50WC-S	51.5	31	40	7.7	2	19	4	86



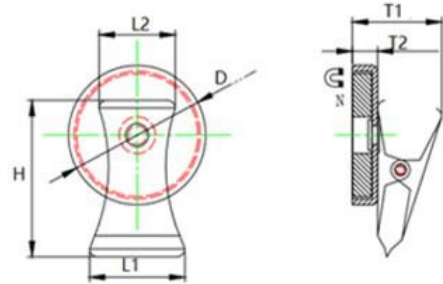
Ferrite flat pot magnet with clinch-nut



Item No	D	H	d	M	Force			Weight
	mm	mm	mm		Kg	N	Lbs	g
RBFB50F-8-32	51.56	7.39	22	8-32	16	156	35	69



Ferrite flat pot magnet with clip in different colors



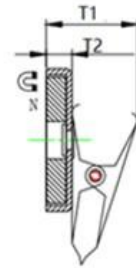
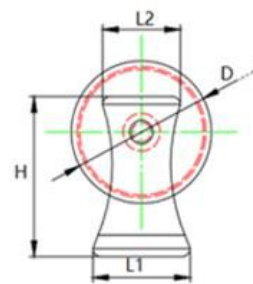
Item No.	D	H	L1	L2	T1	T2	Force			Weight	color
	mm	mm	mm	mm	mm	mm	Kg	N	Lbs	g	
RBFB36C-B	36	40	25	20	23.5	6.6	7	66	15	40	Black
RBFB36C-W	36	40	25	20	23.5	6.6	7	66	15	40	White
RBFB36C-R	36	40	25	20	23.5	6.6	7	66	15	40	Red
RBFB36C-Y	36	40	25	20	23.5	6.6	7	66	15	40	Yellow
RBFB36C-G	36	40	25	20	23.5	6.6	7	66	15	40	Green
RBFB36C-BL	36	40	25	20	23.5	6.6	7	66	15	40	Blue



Ferrite flat pot magnet with clip



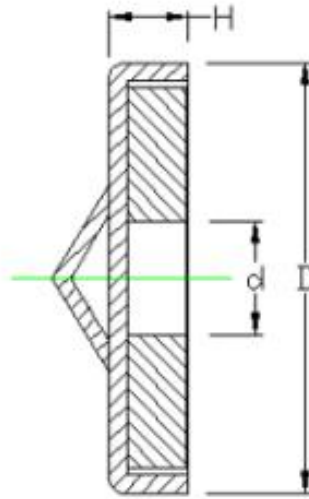
 Steel
 Ferrite



Item No.	D	H	L1	L2	T1	T2	Force			Weight
	mm	mm	mm	mm	mm	mm	Kg	N	Lbs	g
RBFB36C-S	36	40	25	20	23.5	6.6	7	66	15	40



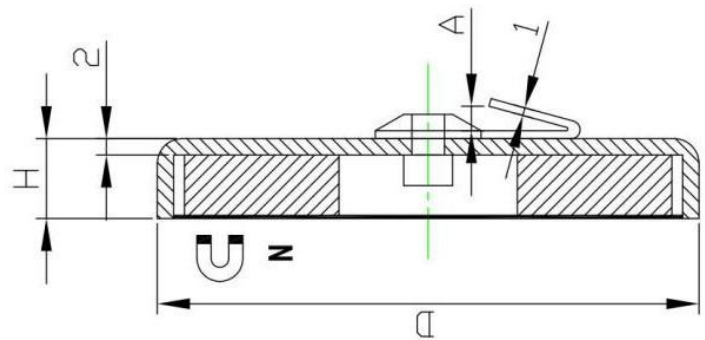
Ferrite flat pot magnet with loop



Item No.	D	H	d	Force			Weight
	mm	mm	mm	Kg	N	Lbs	g
RBFB40V	36	6.65	9.525	7	67	15	34.7



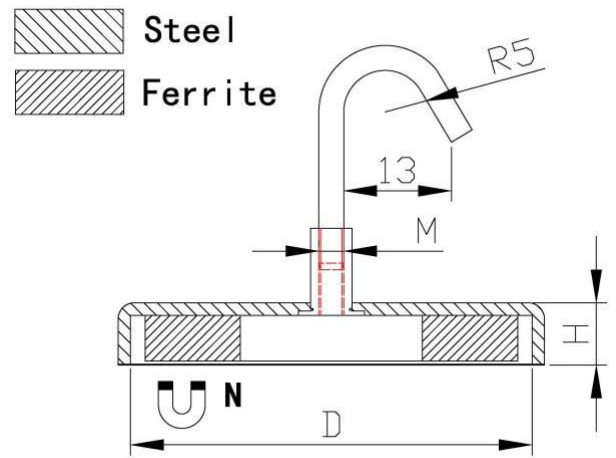
Ferrite flat pot magnet with metal hook



Item No.	D	H	A	Force		
	mm	mm	mm	Kg	N	Lbs
RBFB70L	66.7	9.8	3	36	355	80



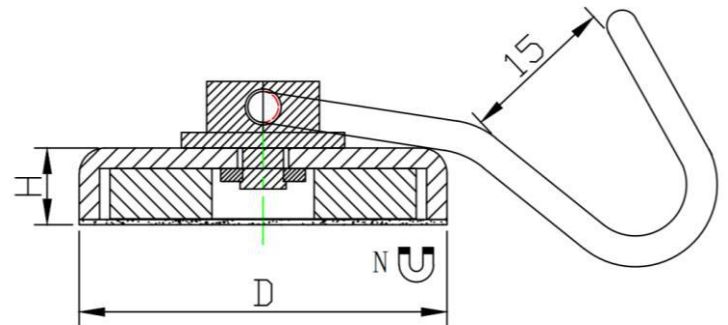
Ferrite pot magnet with J hook



Item No.	D	H	Hook opening	M	Force (with protect film)		
	mm	mm	mm		Kg	N	Lbs
RBFB50K	51.5	7.6	13	M3	9	88	19



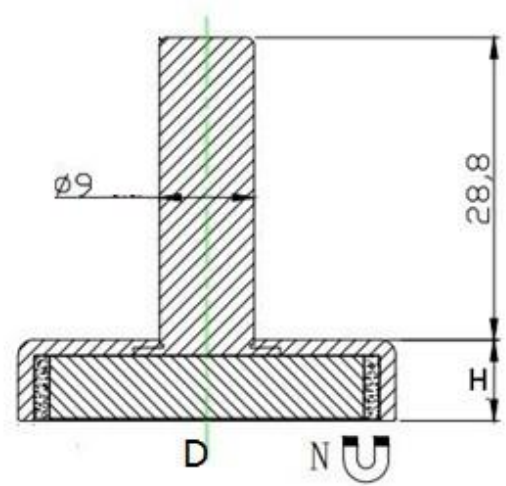
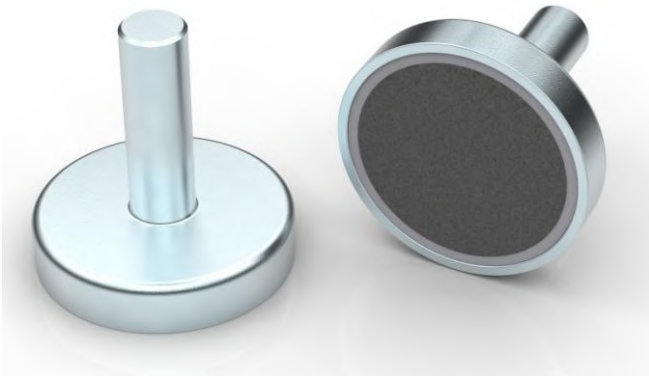
Ferrite white powder coated magnet with swivel hook



Item No.	D	H	Hook opening	Force (with protect film)		
	mm	mm	mm	Kg	N	Lbs
FTFT-35-W	35	7	15	5	49	11



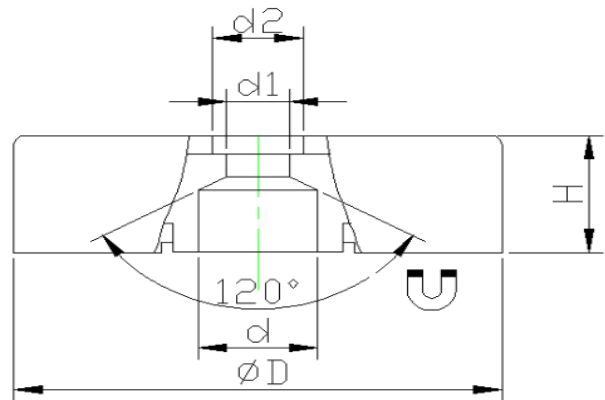
Ferrite pot magnet with metal rod



Item No.	D	H	ROD	Force		
	mm	mm	mm	Kg	N	Lbs
8FGPPY3617	36	7.7	D9x28.8mm	5	49	11



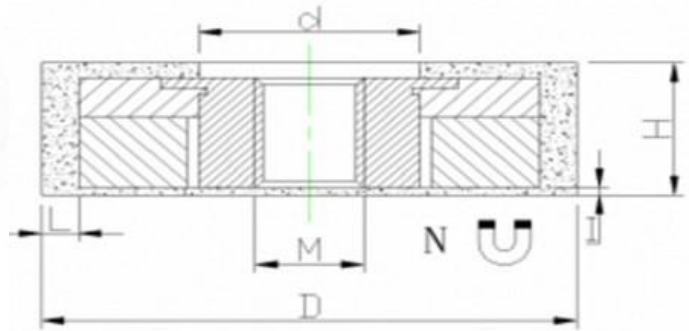
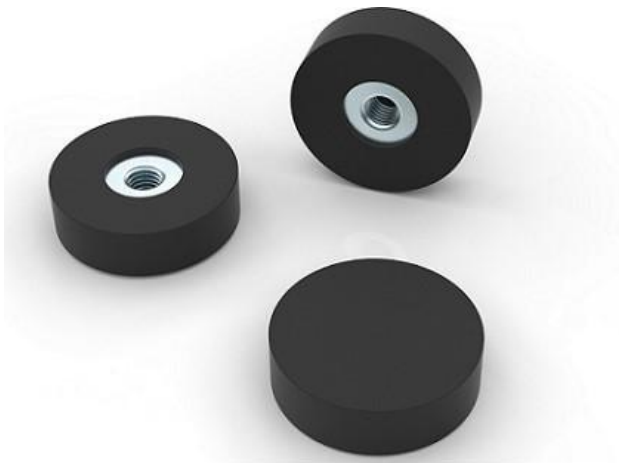
NdFeB black rubber coated magnet with bore and counterbore



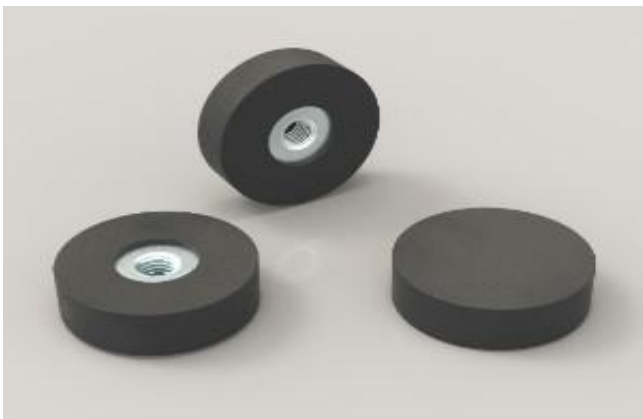
Item No.	D	H	d	d1	d2	Force			Magnet	Weight
	mm	mm	mm	mm	mm	Kg	N	Lbs		g
RCFB43C-B	43	12.5	10.5	5.5	8	8	80	18	Ferrite	76
R CNB43C-B	43	12.5	10.5	5.5	8	26	260	58	NdFeB	86



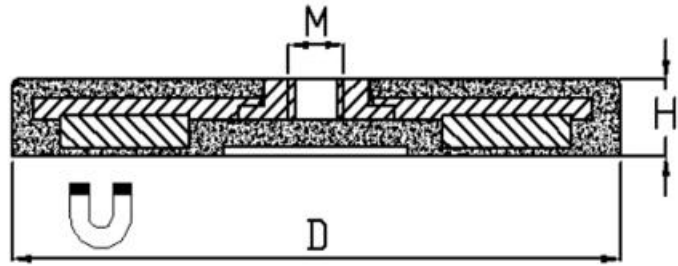
NdFeB black rubber coated magnet with screw hole



Item No.	D	H	d	M	Force			Weight
	mm	mm	mm		Kg	N	Lbs	g
RCND20F	20	6	8	M4	3	31	7	7.5
RCND29F	29	8.5	12	M5	11	108	22	28
RCND36F	36	8.5	14	M6	20	201	45	49
RCND45F	45	9.5	14	M6	30	301	67	80



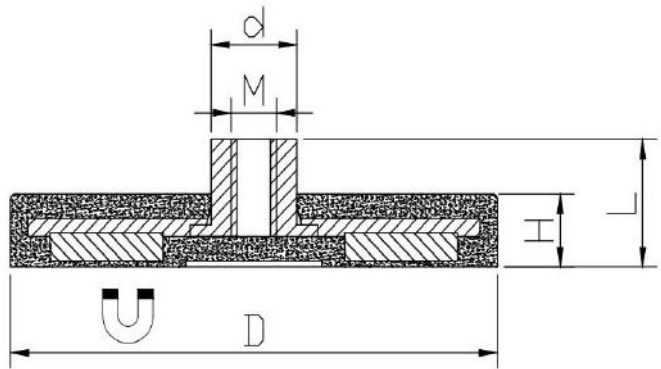
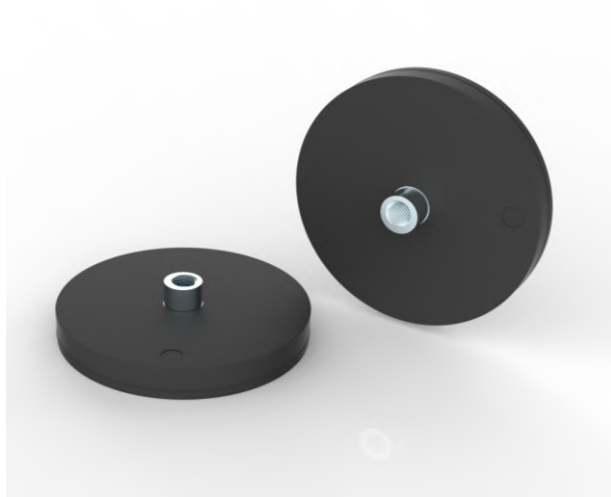
NdFeB black rubber coated magnet with female thread



Item No.	D	H	L	M	Force			Weight
	mm	mm	mm		Kg	N	Lbs	g
RCND22F	22	6	6	M4	5.9	58	13	10
RCND31F	31	6	6	M5	9	89	20	21
RCND43F	43	6	6	M6	10	100	22	36
RCND66F	66	8	8	M6	25	250	56	107
RCND88F	88	8.5	8.5	M6	56	550	123	210



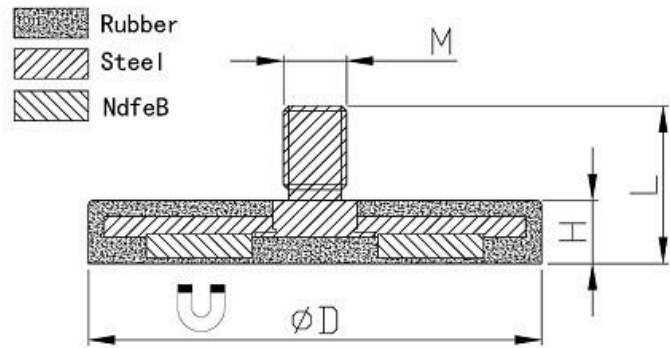
NdFeB rubber coated magnet with screw bush



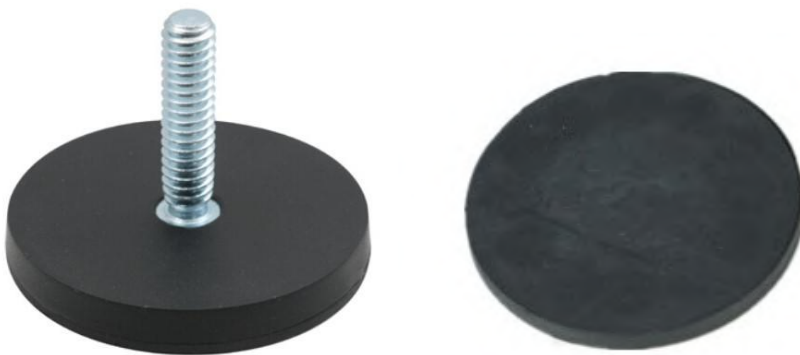
Item No.	D	d	H	L	M	Force			Weight
	mm	mm	mm	mm		Kg	N	Lbs	g
RCND22F-11.5	22	8	6	11.5	M4	5.9	58	13	13
RCND31F-11.5	31	8	6	11.5	M4	9	89	20	22
RCND43F-10.5	43	8	6	10.5	M4	10	100	22	30
RCND66F-15	66	10	8.5	15	M5	25	250	56	105
RCND88F-17	88	12	8.5	17	M8	56	550	123	192



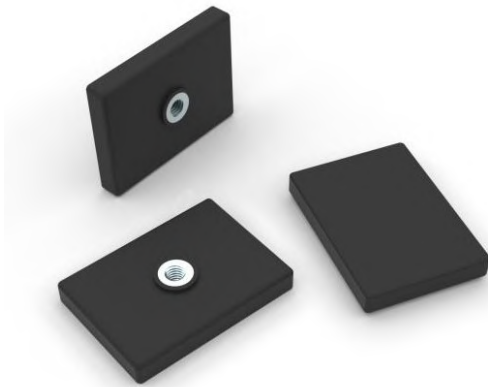
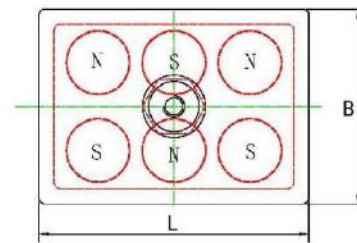
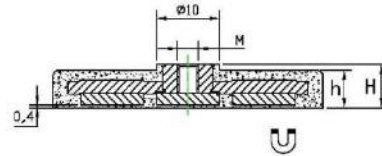
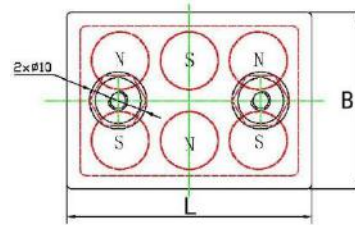
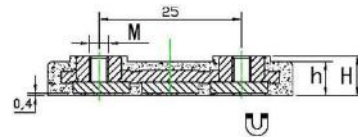
NdFeB black rubber coated magnet with threaded stud



Item No.	D	H	L	M	Force			Weight
	mm	mm	mm		Kg	N	Lbs	g
RCND22M	22	6	12.5	M4	5.9	58	13	10
RCND31M	31	6	18	M5	9	89	20	21
RCND43M	43	6	21	M6	10	100	22	36
RCND66M	66	8	32	M6	25	250	56	107
RCND88M	88	8.5	32	M6	56	550	123	210



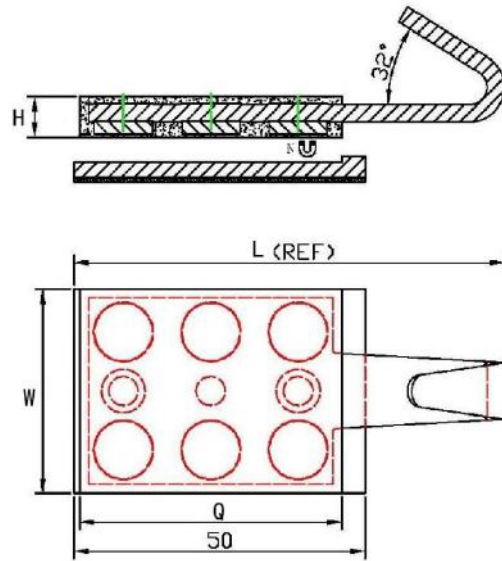
Rectangular NdFeB rubber coated magnet with female thread



Item No.	L	B	H	h	M	Force			Weight
	mm	mm	mm	mm		Kg	N	Lbs	g
RCNL43F-2M4	43	31	6.9	6	M4	14.8	146	32.8	28.1
RCNL43F-M4	43	31	6.9	6	M4	10.7	105	23.6	27.5



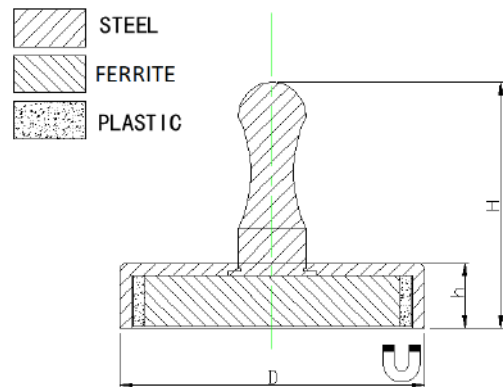
NdFeB rubber coated magnet with J hook, rectangular



Item No.	L	W	Q	H	Force			Weight
	mm	mm	mm	mm	Kg	N	Lbs	g
RCNL74L	74	35	45	7	10	98	22	53.7



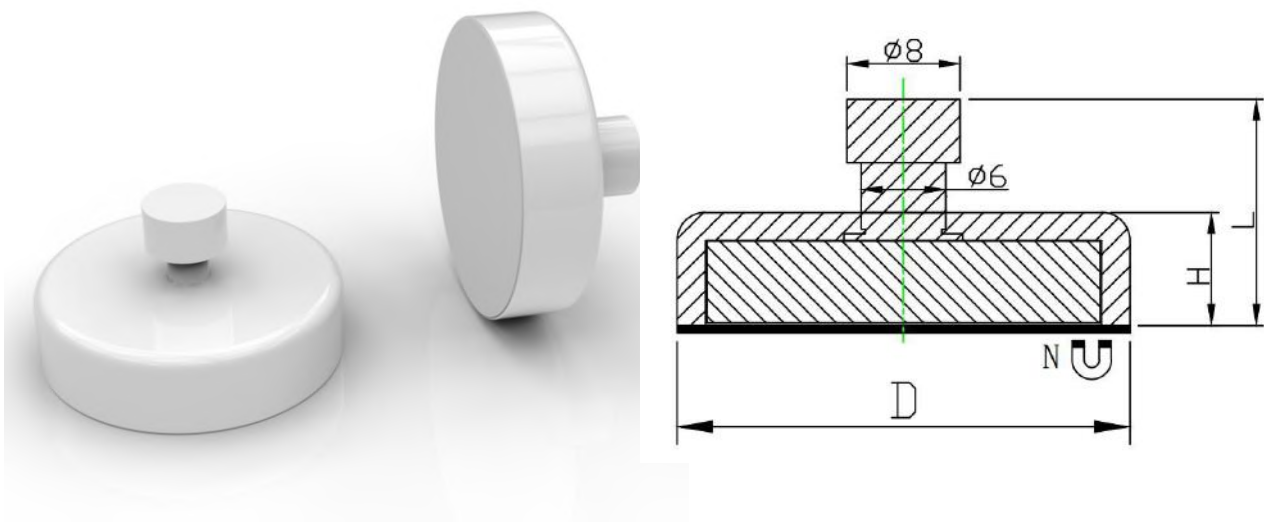
Ferrite memo magnet with handle, white powder coated



Item No	D	h	H	Force			Weight
	mm	mm	mm	Kg	N	Lbs	g
TFE25H-W	25	7	29	4	40	9	22
TFE32H-W	32	7	29	7	70	15	33.5
TFE36H-W	36	7.7	29	8	80	18	45
TFE40H-W	40	8	29	10	100	22	57.5



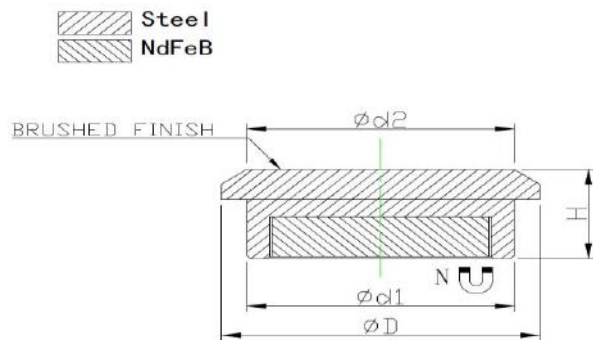
Ferrite white powder coated magnet with knob



Item No.	D	H	L	Force (with protect film)		
	mm	mm	mm	Kg	N	Lbs
TFE32T-W	32	8	16	6	58	13



NdFeB memo magnet with brushed finish



Item No.	D	H	d1	d2	Force			Weight
	mm	mm	mm	mm	Kg	N	Lbs	g
M-CAPN16	16	7	12.5	12.5	5	49	11	8
M-CAPN22	22	9	18	18	8	80	17	18.5
M-CAPN25	25	9	21	21	13	130	28	25
M-CAPN30	30	9	27	26	21	210	46	40

Note: Retail packing can be fulfilled.



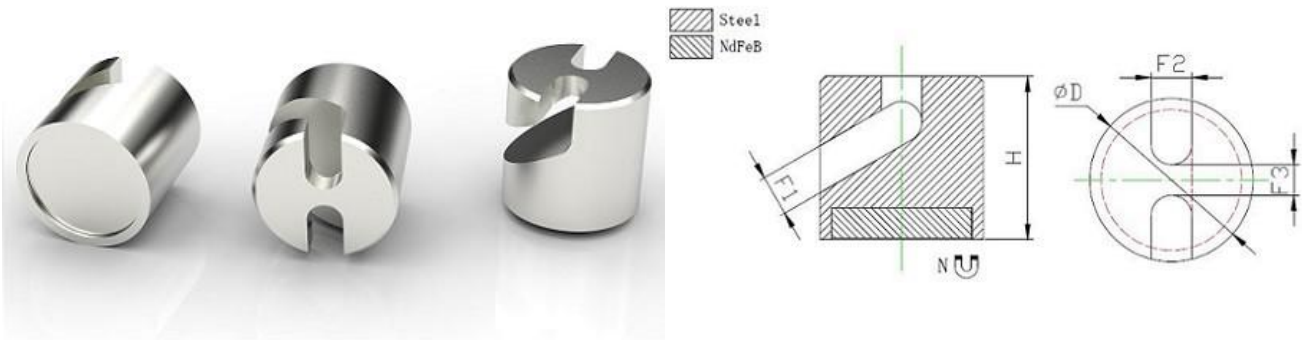
NdFeB memo magnet with handle, lathe machined



Item No.	D	H	d	Force			weight
	mm	mm	mm	Kg	N	Lbs	g
M-D12SEAL	12	16	8	1	10	2	9.5
M-D16SEAL	16	16	10	2	20	4	16
M-D20SEAL	20	25	12	4	40	9	33



NdFeB memo magnet with notch



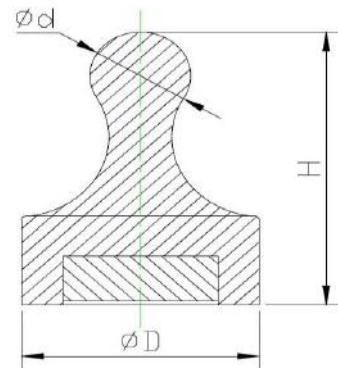
Item No.	D	H	F1	F2	F3	Force			weight
	mm	mm	mm	mm	mm	Kg	N	Lbs	g
RDNE16S	16	16	4	4	3	4	40	9	20



NdFeB memo magnet with plastic case



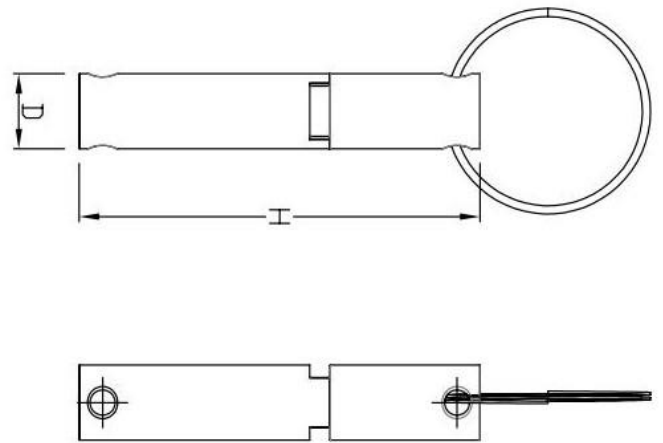
ABS
 NdFeB



Item No.	D	H	d	Force			weight
	mm	mm	mm	Kg	N	Lbs	g
PC12SEAL	12	20	7	0.8	8	1.7	4
PC19SEAL	19	25.5	10	1.5	15	3	8
PC29SEAL	29	38.5	12	2.3	23	5	20.5



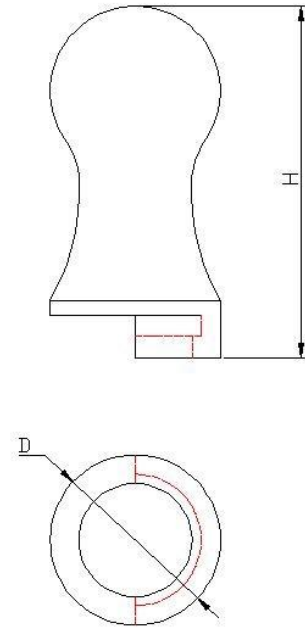
Memo magnet pick-up with key ring



Item No.	D	H	STEEL MATERIAL
	mm	mm	
RDNE15X80R	15	80	430



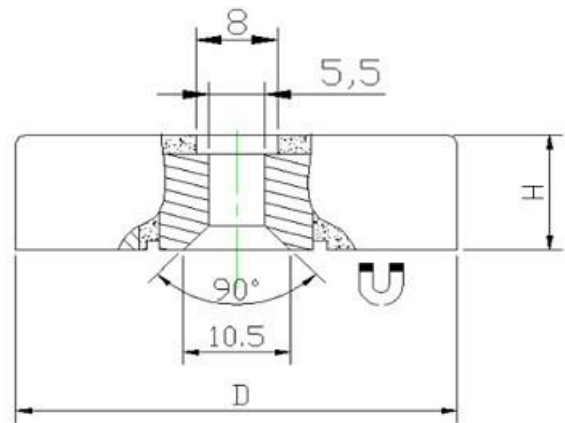
Plastic handle memo magnet pick-up



Item No.	D	H	Color
	mm	mm	
PCRD30-R	30	62	RED



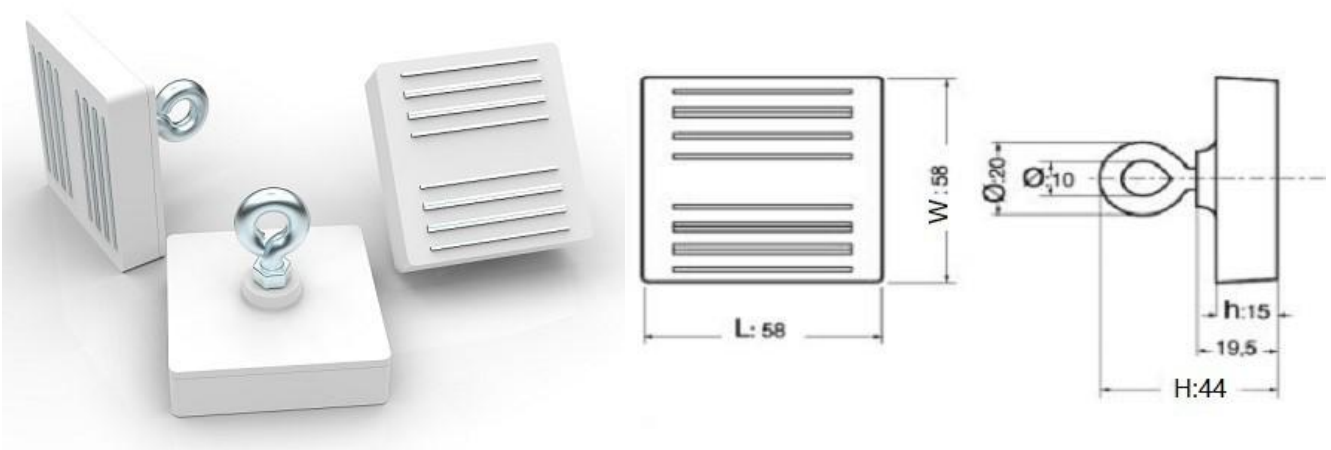
Plastic cased magnet with countersunk



Item No	D	H	Force			Weight
	mm	mm	Kg	N	Lbs	g
PCFB43C-W	43	12	12	120	27	77



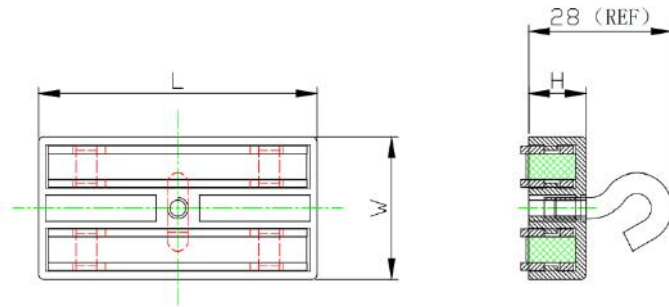
Plastic cased magnet with eyelet



Item No.	L	W	H	Force			weight
	mm	mm	mm	Kg	N	Lbs	g
PCFL580	58	58	44	30	294	66	130



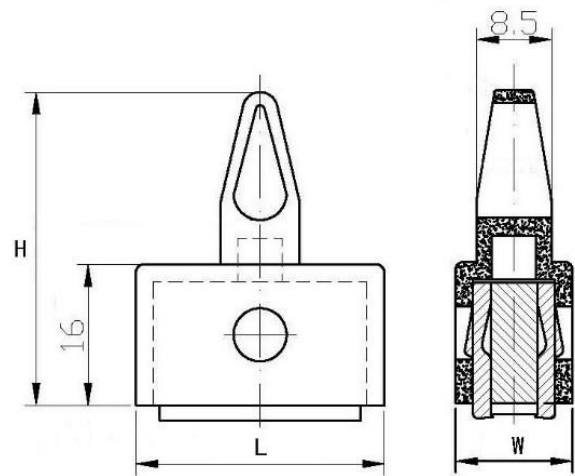
Plastic cased magnet with hook



Item No.	L	W	H	Force			weight
	mm	mm	mm	Kg	N	Lbs	g
PCFL53K-W	53	27.5	11	15	147	33	53



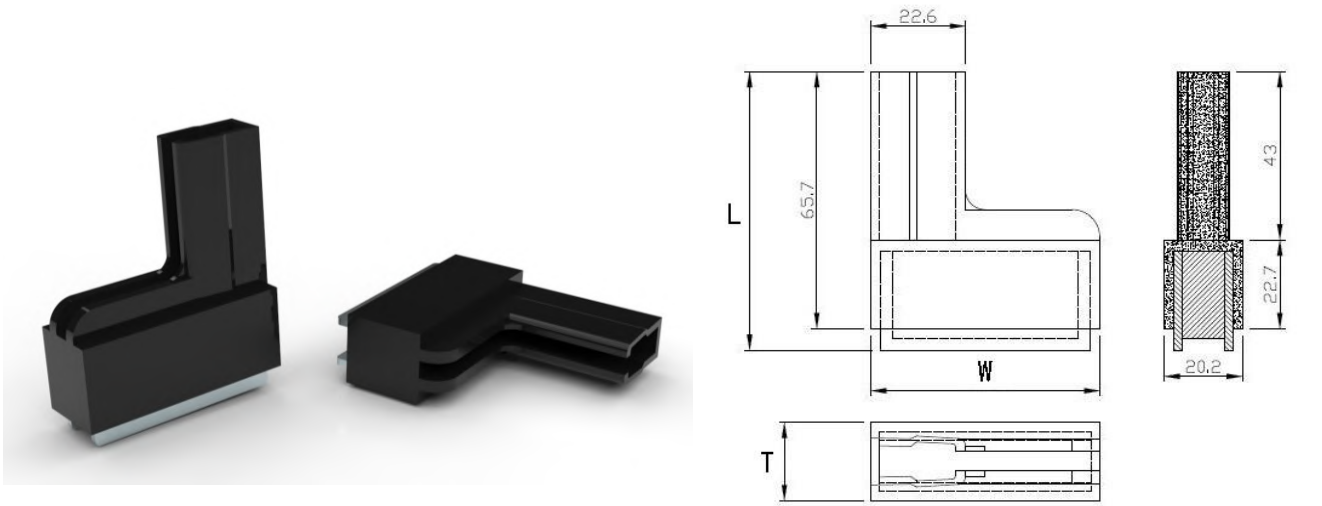
Plastic cased magnet with loop



Item No.	L	W	H	Force		
	mm	mm	mm	Kg	N	Lbs
8FGPJF0015	28.2	13.3	35.5	9	88	20



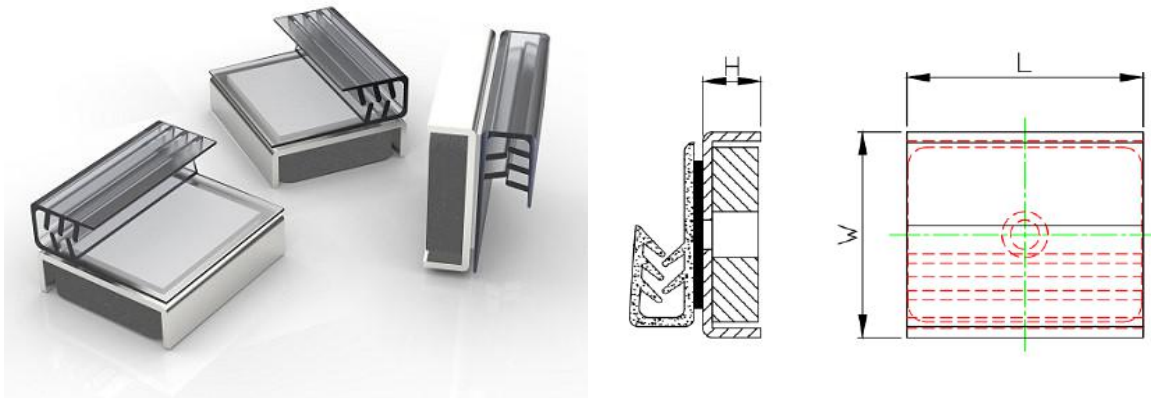
Boot shape magnetic base



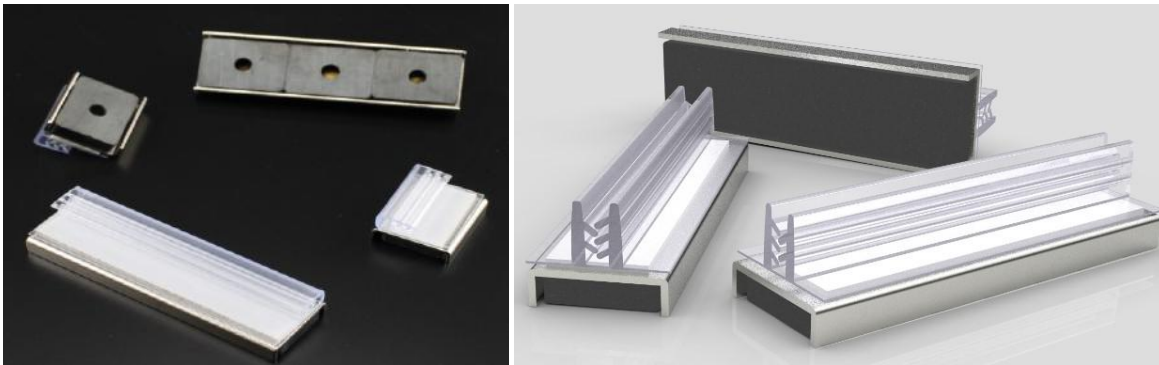
Item No.	L	W	T	Force			Color
	mm	mm	mm	Kg	N	Lbs	
G25	71.2	58.5	20.2	25	245	55	Beige
G25B	71.2	58.5	20.2	25	245	55	Black



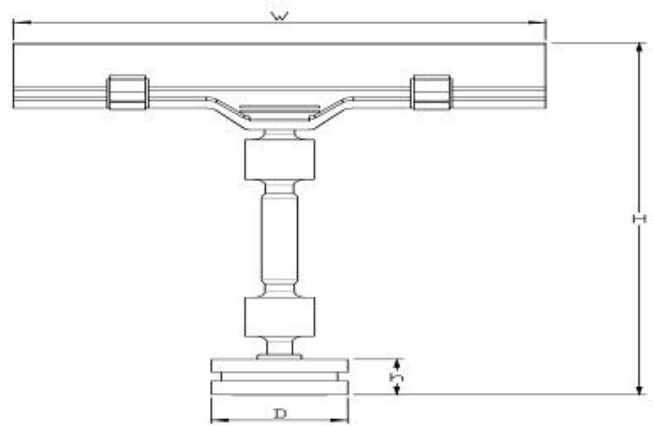
Ferrite channel magnet with PVC gripper



Item No.	L	W	H	Force		
	mm	mm	mm	Kg	N	Lbs
CHFL1-PC	25.4	22.23	6.35	4	39	9
CHFL3-PC	76.2	22.86	6.38	10	98	22



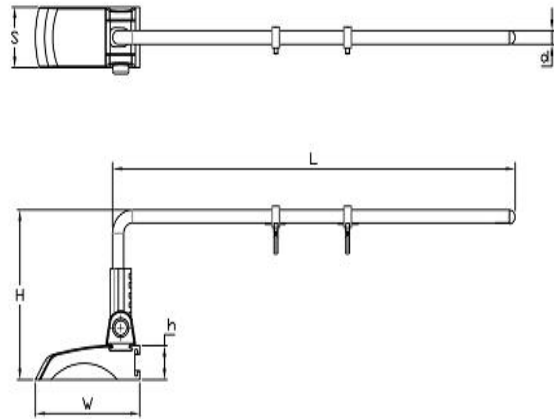
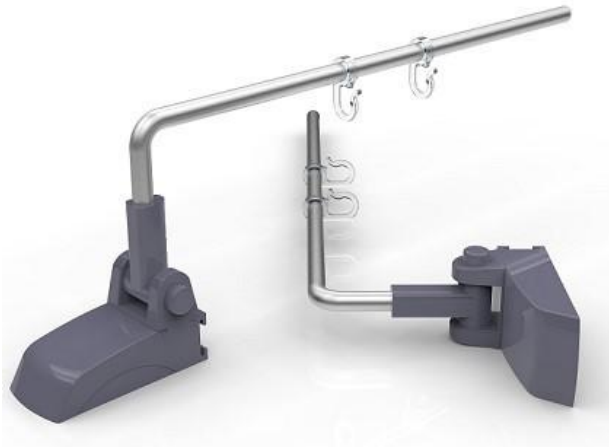
Circular magnetic base with clip



Item No.	Magnetic base		Width of Clip
	D(mm)	J(mm)	W(mm)
GIPOS J19	20	11	80



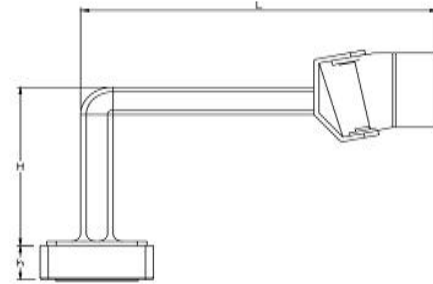
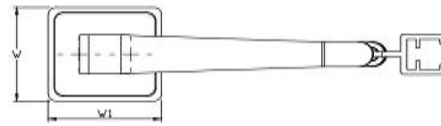
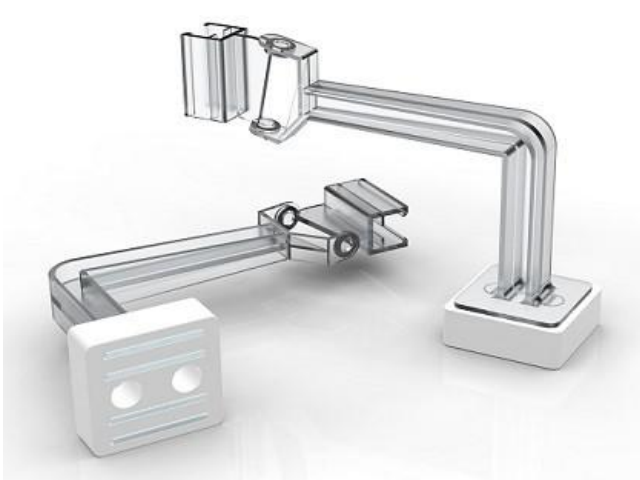
Magnetic banner holder with grey base and tube



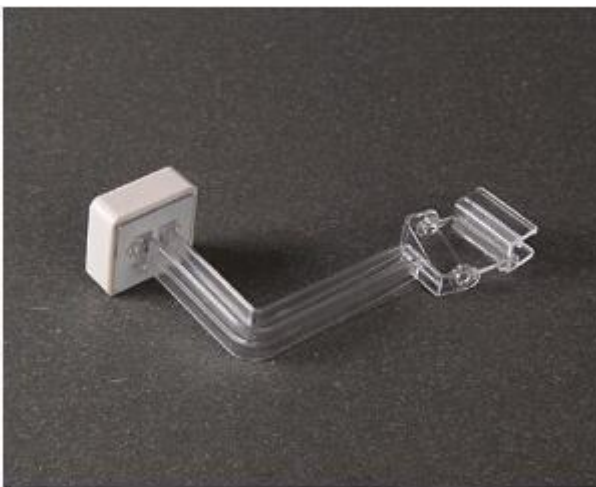
Item No.	Magnetic base(mm)			Aluminum Pole(mm)		Total Height(mm)	Weight
	W(mm)	S(mm)	h(mm)	d(mm)	L(mm)	H	g
GIPOS G3	79	38	23	9	300	140	177



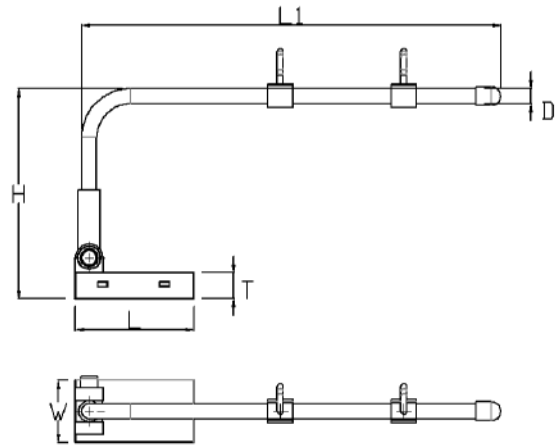
Plastic frame magnetic base with clip



Item No.	Magnetic base(mm)			Height(mm)	Length(mm)
	W(mm)	W1(mm)	T(mm)	H(mm)	L(mm)
GIPOS S21	35	35	13	70	115



Rectangular magnetic banner hanger with L aluminum tube and hooks



Item No.	Magnetic base(mm)			Aluminum Pole(mm)		Total Height(mm)	Weight
	L(mm)	W(mm)	T(mm)	D(mm)	L1(mm)	H(mm)	g
GIPOS R8-1	71	38	16	9.4	300	125	155



NdFeB self-adhesive magnet



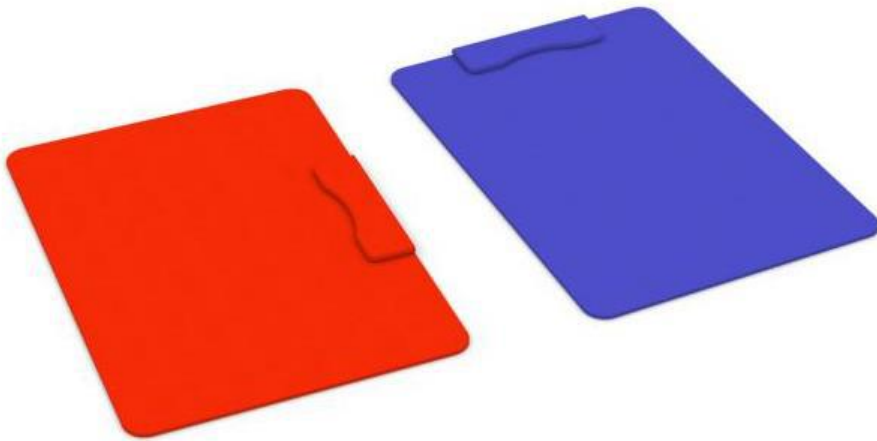
Size mm	Grade	Coating	Quantity per Bag	Adhesive Material	Weight g
D6x0.75	N35	NiCuNi	20	3M 467/PE FOAM	0.16
D8x0.75	N35	NiCuNi	20	3M 467/PE FOAM	0.29
D9.5x0.75	N35	NiCuNi	20	3M 467/PE FOAM	0.40
D10x0.6	N35	NiCuNi	20	3M 467/PE FOAM	0.36
D10x1	N35	NiCuNi	20	3M 467/PE FOAM	0.60
D13x1	N35	NiCuNi	20	3M 467/PE FOAM	1.00
D15x2	N35	NiCuNi	10	3M 467/PE FOAM	2.70
D20x1	N35	NiCuNi	10	3M 467/PE FOAM	2.40
D20x2	N35	NiCuNi	10	3M 467/PE FOAM	4.80
D25x2	N35	NiCuNi	10	3M 467/PE FOAM	7.50
L10x5x1	N35	NiCuNi	40	3M 467/PE FOAM	0.38
L10x10x1	N35	NiCuNi	20	3M 467/PE FOAM	0.76
L15x8x1	N35	NiCuNi	20	3M 467/PE FOAM	0.91
L20x10x1	N35	NiCuNi	20	3M 467/PE FOAM	1.50

Note: 1) The above table only shows some hot sellers, other dimensions are also possible.

2) Magnets with PE foam are suggested to pack in tubes to avoid deformation.

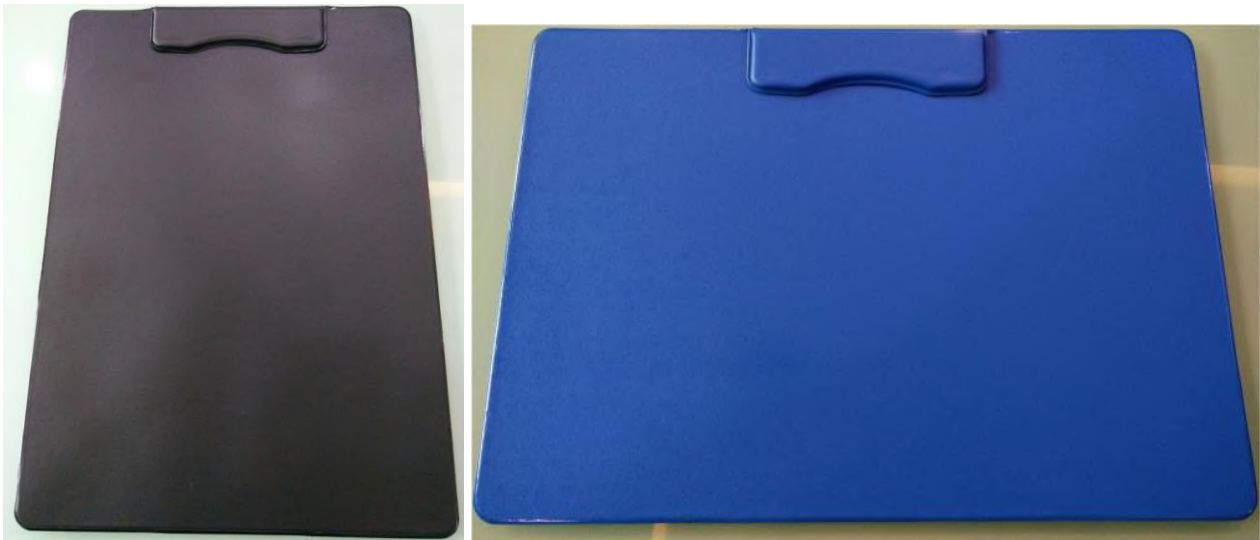


NdFeB magnetic document holder



Item No.	Size	Orientation	Color
MG-3501BLH	A4	Landscape	Blue
MG-2501BH	A4	Landscape	Black
MG-3501BLV	A4	Portrait	Blue
MG-2501BV	A4	Portrait	Black

Note: Other colors are available upon request



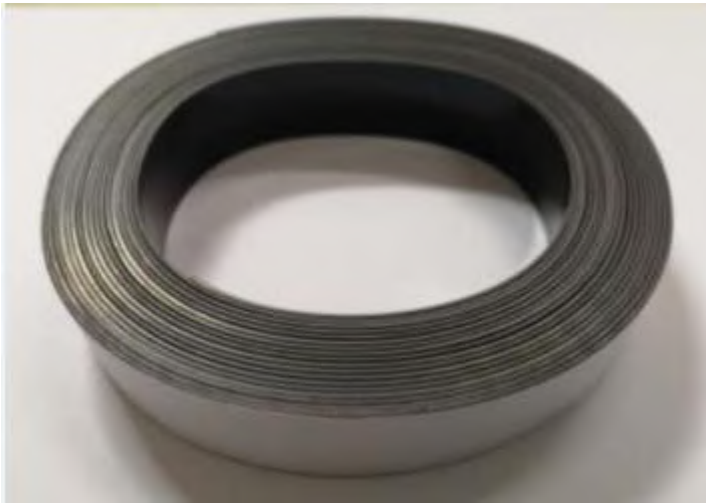
Magnetic foil with transparent sheet



Item No.	Size	Measurement	Opening
RML-A8W0.5mm	A8	99X66X0.5mm	upper side
RML-A6W0.5mm	A6	165*113*0.5mm	upper side
RML-A4W0.5mm	A4	314X224X0.5mm	upper and right-hand side
RML-A3W0.6mm	A3	438*314*0.6mm	upper and right-hand side



Flexible magnet tape with self-adhesive

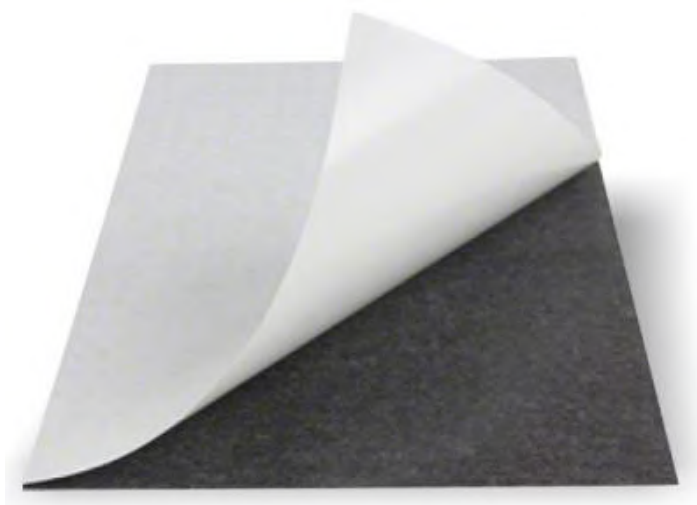


Item No.	L	W	T	Magnetization way	UV coating	Self-adhesive
	mm	mm	mm		Yes	Yes
FeB30000X25XT1mm -1	30000	25	1	Isotropic	Yes	Chinese brand

Note: Standard length is 30M. Customized length is also available upon request.



Flexible rubber magnet with self-adhesive



Width(mm)	Thickness(mm)	Length(m)	Surface	Pull strength(g/cm ²)
610-1000	0.3	30/50/60	self-adhesive tape	12
610-1000	0.4	15/20/30/50/60		16
610-1000	0.5	15/20/30/50/60		23
610-1000	0.75	10/15/20		38
610-1000	1	10/15/20		42
610-700	1.5	10/15		56
610-700	2	10		60

Magnetic property	Magnetic property Value							
	Br \geq		Hcb \geq		Hcj \geq		BH(max) \geq	
	mT	Gs	KA/m	Oe	KA/m	Oe	KJ/m ³	MGOe
Isotropic	185	1850	112	1400	147	1850	5.97	0.75
Anisotropic	245	2450	167	2100	195	2450	11.54	1.45

Note: Our isotropic flexible rubber magnet is available in the above dimensions.(Customized dimension is also available upon request.)

Flexible rubber magnet with PVC vinyl

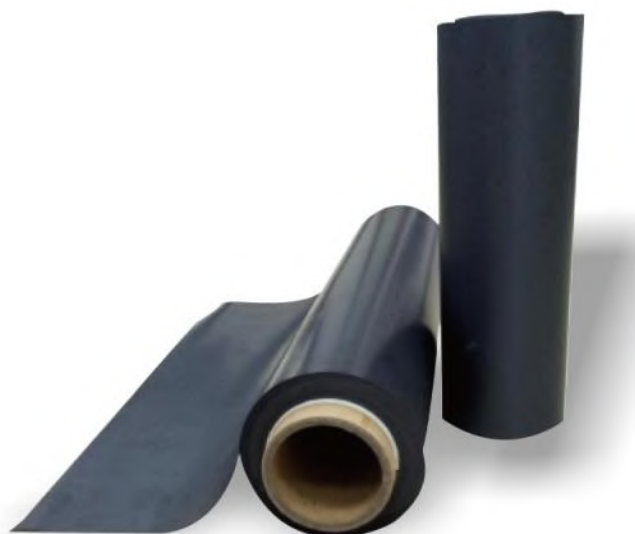


Width(mm)	Thickness(mm)	Length(m)	Surface	Pull strength(g/cm ²)
610-1000	0.3	30/50/60	PVC vinyl	12
610-1000	0.4	15/20/30/50/60		16
610-1000	0.5	15/20/30/50/60		23
610-1000	0.75	10/15/20		38
610-1000	1	10/15/20		42
610-700	1.5	10/15		56
610-700	2	10		60

Magnetic property	Magnetic property Value							
	Br \geq		Hcb \geq		Hcj \geq		BH(max) \geq	
	mT	Gs	KA/m	Oe	KA/m	Oe	KJ/m ³	MGOe
Isotropic	185	1850	112	1400	147	1850	5.97	0.75
Anisotropic	245	2450	167	2100	195	2450	11.54	1.45

Note: Our isotropic flexible rubber magnetic is available in the above dimensions.(Customized dimension is also available upon request.)

Plain flexible rubber magnet



Width(mm)	Thickness(mm)	Length(m)	Surface	Pull strength(g/cm ²)
610-1000	0.3	30/50/60	Plain	12
610-1000	0.4	15/20/30/50/60		16
610-1000	0.5	15/20/30/50/60		23
610-1000	0.75	10/15/20		38
610-1000	1	10/15/20		42
610-700	1.5	10/15		56
610-700	2	10		60

Magnetic property	Magnetic property Value							
	Br \geq		Hcb \geq		Hcj \geq		BH(max) \geq	
	mT	Gs	KA/m	Oe	KA/m	Oe	KJ/m ³	MGOe
Isotropic	185	1850	112	1400	147	1850	5.97	0.75
Anisotropic	245	2450	167	2100	195	2450	11.54	1.45

Note: Our isotropic flexible rubber magnet is available in the above dimensions.(Customized dimension is also available upon request.)

Magnetic C profile

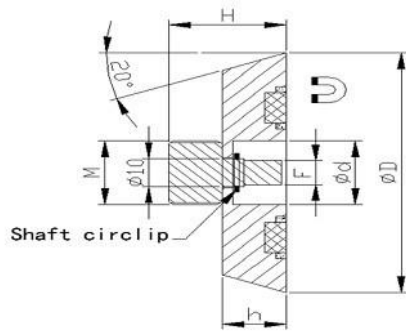


Item No.	Width(mm)	Thickness(mm)
GIC10	10	1
GIC15	15	1
GIC20	20	1
GIC25	25	1
GIC30	30	1
GIC40	40	1
GIC50	50	1

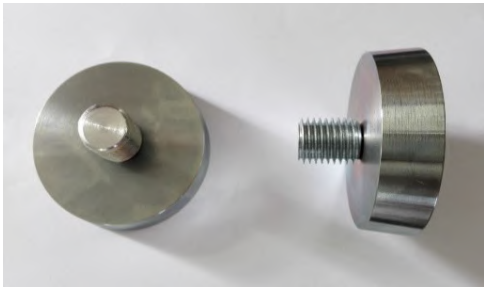
Magnetic property	Magnetic property Value							
	Br \geq		Hcb \geq		Hcj \geq		BH(max) \geq	
	mT	Gs	KA/m	Oe	KA/m	Oe	KJ/m ³	MGOe
Isotropic	185	1850	112	1400	147	1850	5.97	0.75
Anisotropic	245	2450	167	2100	195	2450	11.54	1.45

Note: Standard length is 30M to 50M. Customized length is also available upon request.

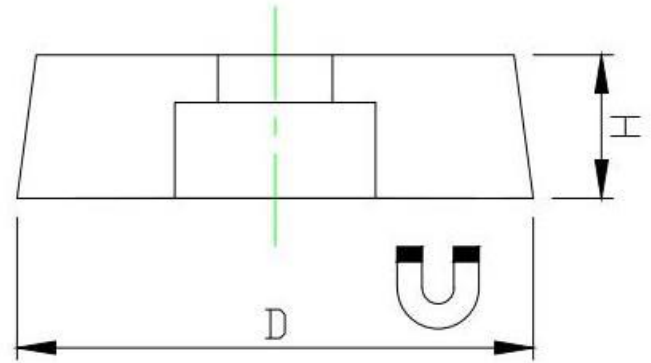
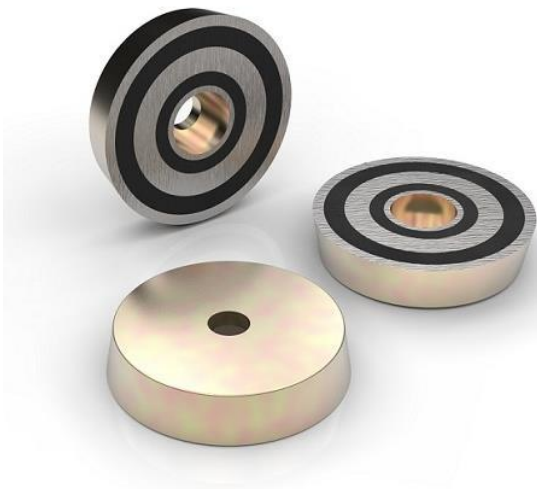
NdFeB Magnetic fixing plate for socket system



Item No	D	H	h	d	F	M	Force			Weight
	mm	mm	mm	mm			Lbs	Kg	N	
MFP12	60	22	12	18	8X8	M12	110	50	490	234.1
MFP14	60	22	12	18	8X8	M14	110	50	490	235.5
MFP16	60	22	12	18	8X8	M16	110	50	490	237.9
MFP20	60	22	12	18	8X8	M20	110	50	490	247.1
MFP24	74	22	12	18	8X8	M24	220	100	980	381.2
MFP30	90	24	12	18	8X8	M30	264	120	1176	580.5
MFP36	90	24	12	18	8X8	M36	264	120	1176	610.2



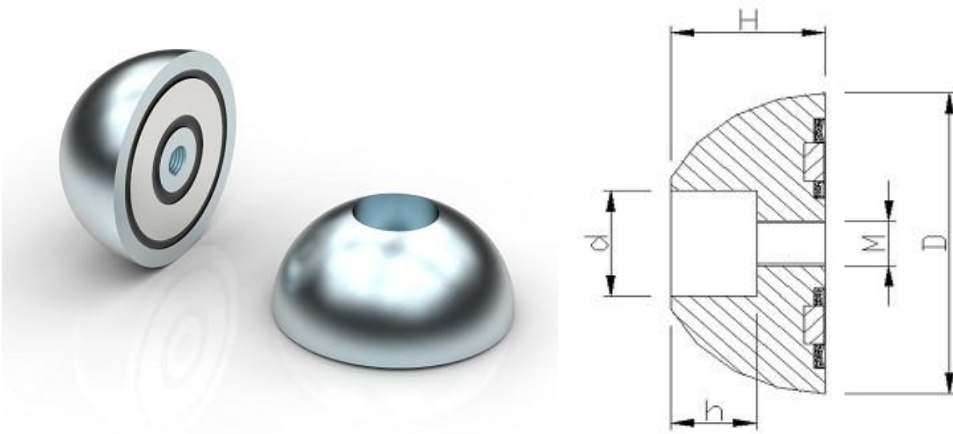
NdFeB magnetic nailing plate



Item No.	D	H	Force			Weight
	mm	mm	Kg	N	Lbs	g
RBNB54x15	54	15	105	1029	231	240
RBNB70x15	70	15	190	1862	418	320



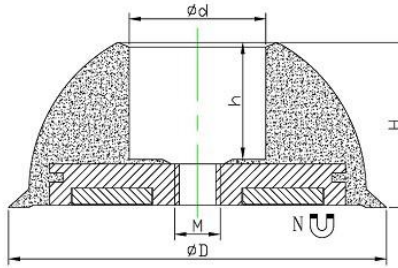
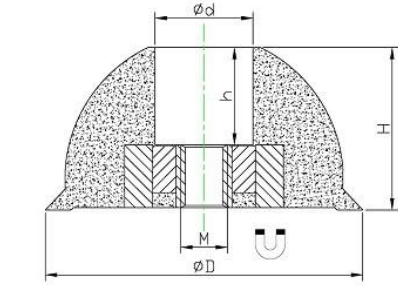
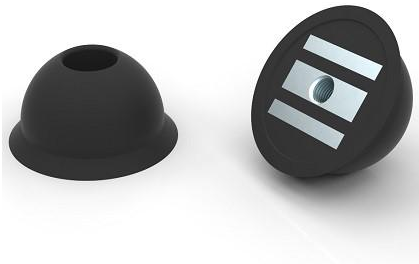
NdFeB magnetic recess former



Item No	D	H	h	d	M	Force			Weight
	mm	mm	mm	mm		Lbs	Kg	N	g
RDNB60F	60	27.5	17.5	20.5	M8	110	50	490	381.5
RDNB74F	74	33	20	30	M10	220	100	980	387.5
RDNB94F	94	42	27	38	M12	264	120	1176	1400
RDNB118F	118	53	40	48.5	M12	418	190	1862	2625



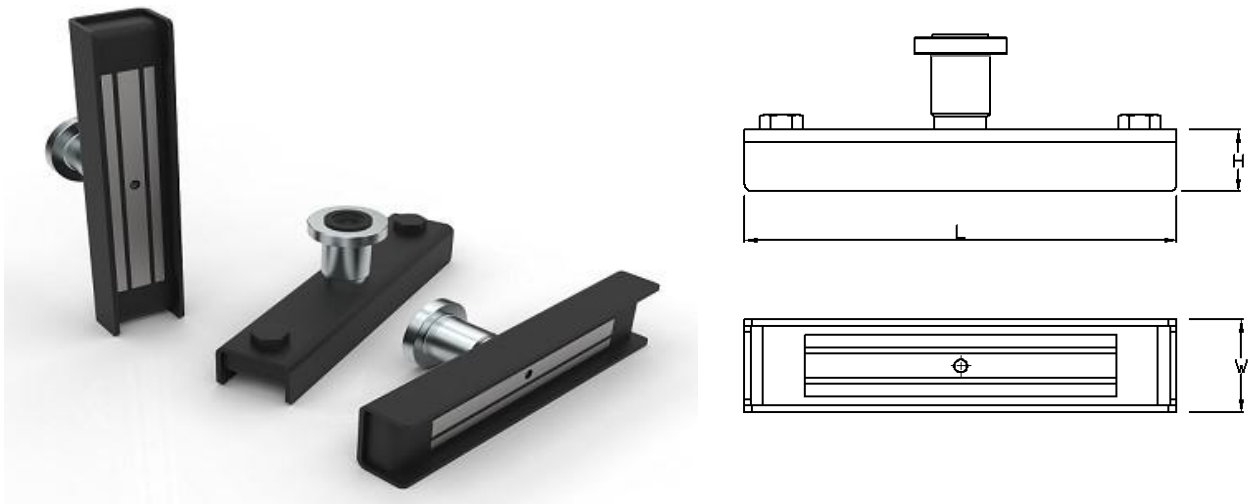
NdFeB rubberized magnetic recess former



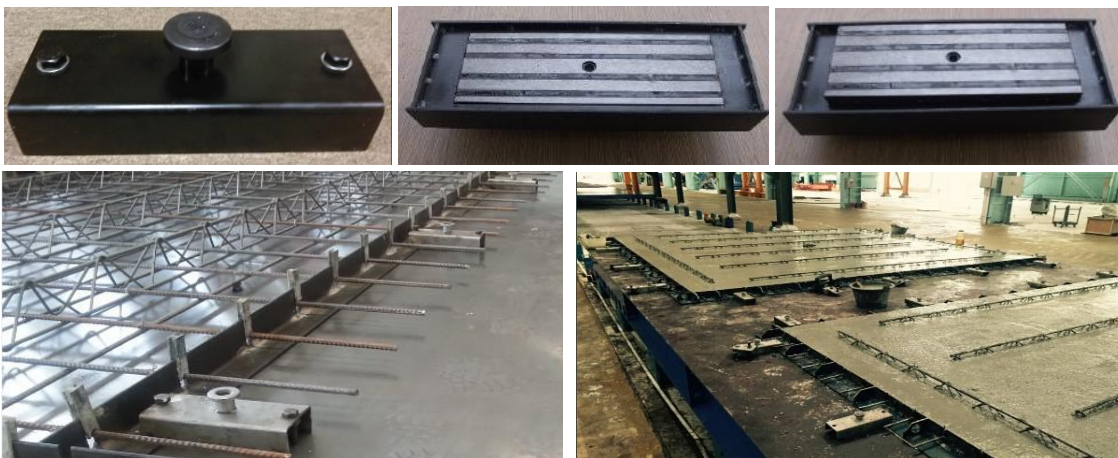
Item No	D	H	h	d	M	Force			NdFeB shape	Weight
	mm	mm	mm	mm		Lbs	Kg	N		g
RCNL68F	68	35	21	20	M10	220	100	980	Block	198
RDNB83F	83	36	22.5	29	M10	330	150	1470	Ring	316



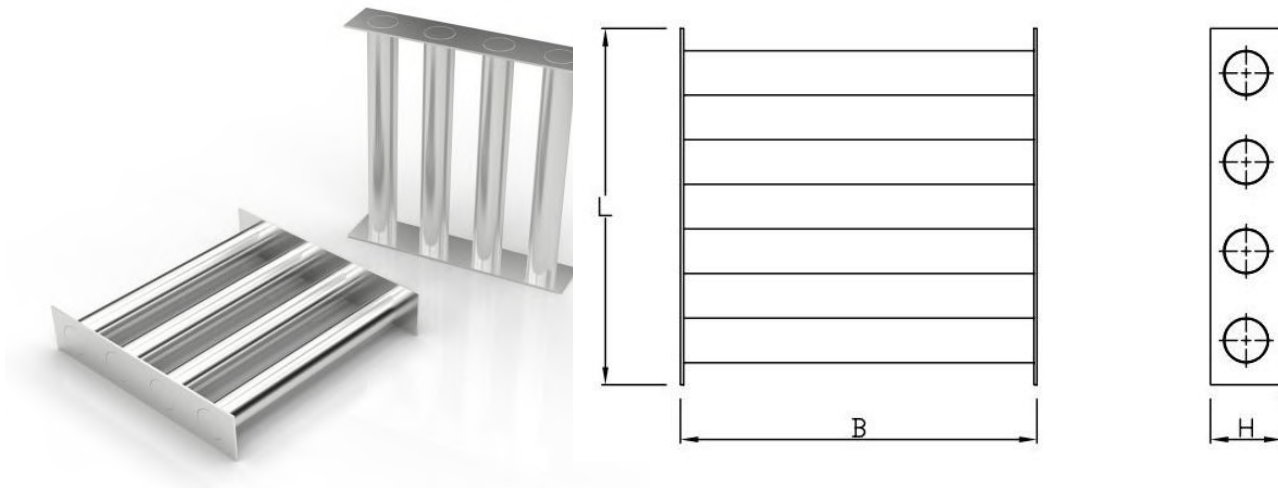
NdFeB shuttering magnet



Item No.	L	W	H	Force			weight
	mm	mm	mm	Kg	N	Lbs	KG
SM-450	170	60	40	450	4410	991	2.7
SM-900	280	60	40	900	8820	1982	4.5
SM-1500	320	120	60	1500	14700	3304	8
SM-1800	320	120	60	1800	17640	3965	9
SM-2100	320	120	60	2100	20580	4625	10



Square grate magnet

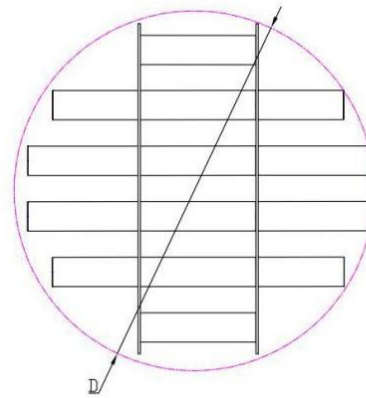


Item No.	Dimension			Bars	Weight
	B(mm)	L(mm)	H(mm)		kg
MGS100	100	100	40	2	1
MGS150	150	150	40	3	2.2
MGS200	200	200	40	4	3.7
MGS250	250	250	40	5	5.5
MGS300	300	300	40	6	8
MGS350	350	350	40	7	10
MGS400	400	400	40	8	13.5
MGS450	450	450	40	9	17
MGS500	500	500	40	40	20.5

1. Steel materials are 304 or 316L
2. Standard diameter of magnetic rod is D25mm. Other diameters are available upon request.
3. Standard working temperature $\leq 80^{\circ}\text{C}$.
4. Normal item (N style), Easy-cleaning (E style) etc. are available.



Round grate magnet

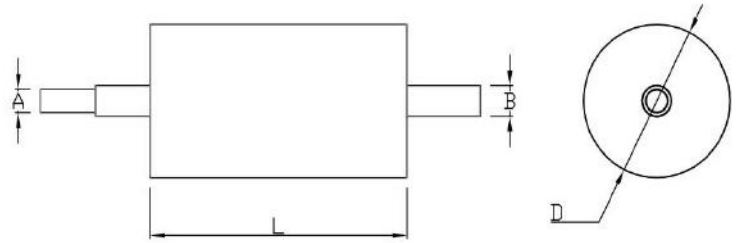


Item No.	Dimension		Bars	Weight
	D(mm)	H(mm)		
MGR100	100	40	2	0.9
MGR150	150	40	3	1.5
MGR200	200	40	4	2.5
MGR250	250	40	5	3.7
MGR300	300	40	6	5.5
MGR350	350	40	7	7.5
MGR400	400	40	8	10
MGR450	450	40	9	12.3
MGR500	500	40	10	15.5

1. Steel materials are 304 or 316L
2. Standard diameter of magnetic rod is D25mm. Other diameters are available upon request.
3. Standard working temperature $\leq 80^{\circ}\text{C}$.



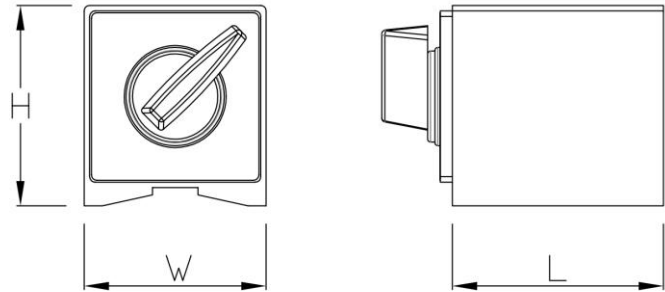
Magnetic pulley



Item No.	Dimension			
	D(mm)	L(mm)	B(mm)	A(mm)
MP2030	200	350	40	30
MP2040	200	450	40	30
MP2050	200	550	40	30
MP2060	200	650	40	30
MP2070	200	750	40	30
MP2080	200	850	40	30
MP2090	200	950	40	30
MP20100	200	1050	40	30
MP3030	300	350	50	40
MP3040	300	450	50	40
MP3050	300	550	50	40
MP3060	300	650	50	40
MP3070	300	750	50	40
MP3080	300	850	50	40
MP3090	300	950	50	40
MP30100	300	1050	50	40
MP4030	400	350	60	50
MP4040	400	450	60	50
MP4050	400	550	60	50
MP4060	400	650	60	50
MP4070	400	750	60	50
MP4080	400	850	60	50
MP4090	400	950	60	50
MP40100	400	1050	60	50



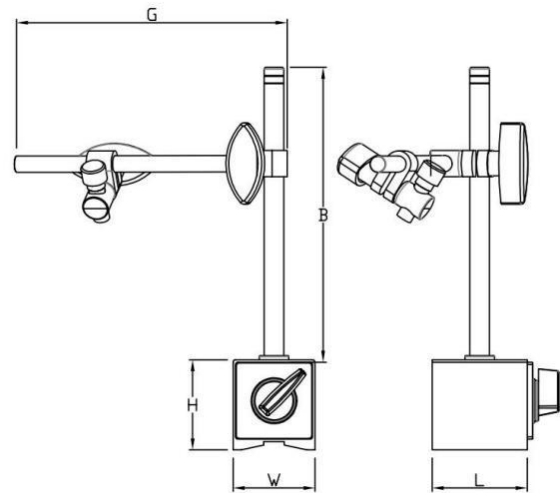
60101 ON/OFF type magnetic base



Item No.	Model	Base(mm) LxWxH	Force			Weight kg
			Lbs	Kg	N	
60101-11	MB-6D	58x50x55	132	60	588	0.95
60101-21	MB-8D	60x50x55	176	80	784	1
60101-31	MB-10D	74x50x55	220	100	980	1.20
60101-41	MB-12D	118x50x55	264	120	1176	1.95



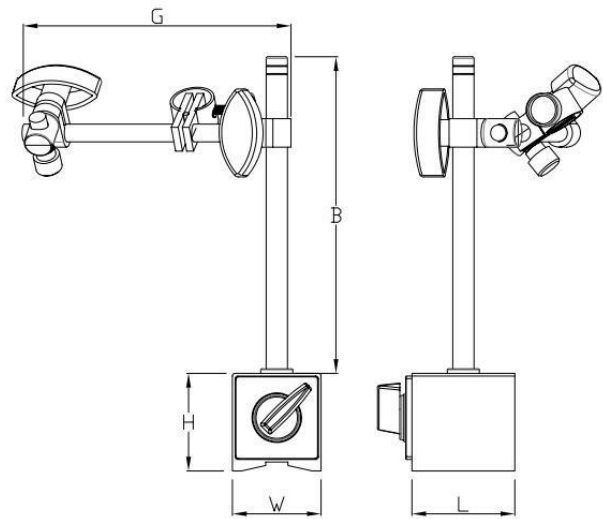
60201 Magnetic indication stand



Item No.	Model	Base(mm) LxWxH	Force			Weight
			Lbs	Kgs	N	Kg
60201-11	CZ-6C	58x50x55	132	60	588	1.4
60201-21	CZ-8C	60x50x55	176	80	784	1.4



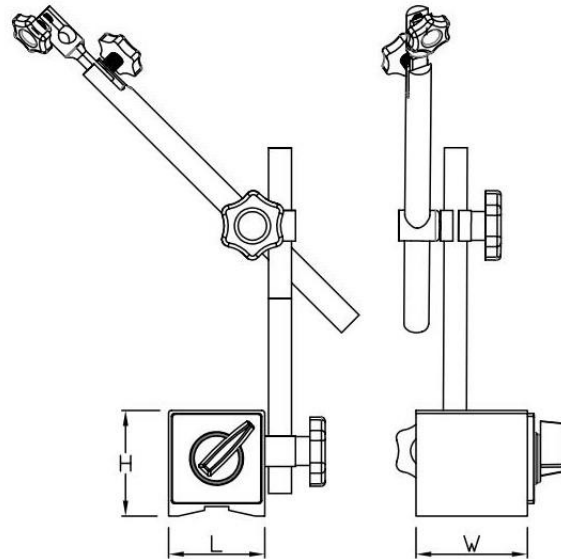
60310 Magnetic stand with fine adjustment



Item No.	Model	Base(mm) LxWxH	Force			Weight
			Lbs	Kg	N	Kg
60310-11	WCZ-6C	58x50x55	132	60	588	1.4
60310-21	WCZ-8C	60x50x55	176	80	784	1.4



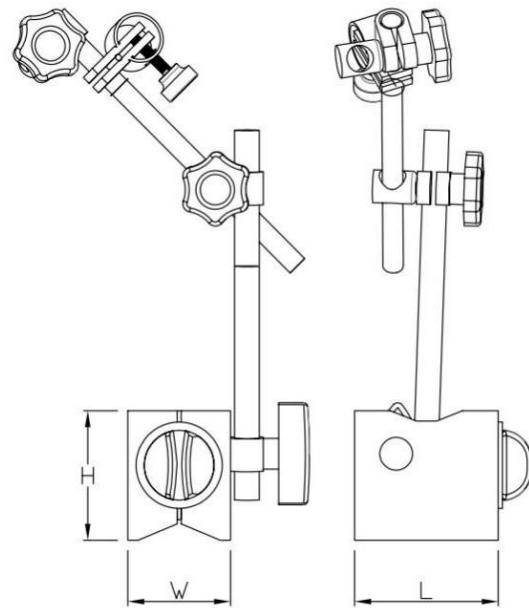
60405 Beam shaped structure



Item No.	Model	Base(mm) LxWxH	Force			Weight
			Lbs	Kg	N	Kg
60405	CZ-6A	58x50x55	132	60	588	1.6



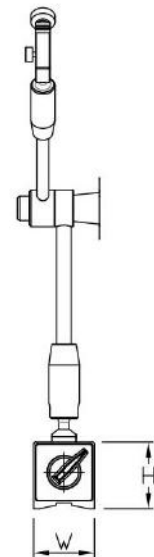
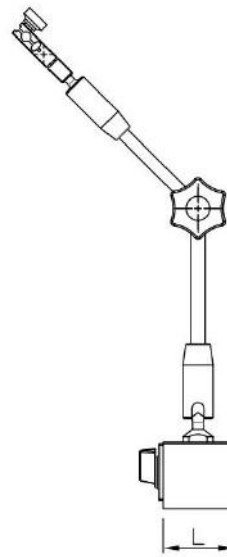
60615 DIN series



Item No.	Model	Base(mm) LxWxH	Force			Weight
			Lbs	Kg	N	kg
60615	F70-MV	70x50x63	154	70	686	2.5



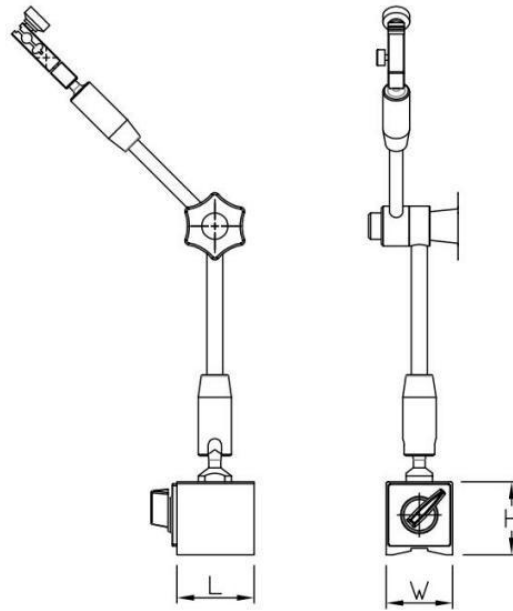
60710 Hydraulic universal magnetic stand



Item No.	Model	Base(mm) LxWxH	Force			Weight
			Lbs	Kg	N	kg
60710-11	YW-6CU	58x50x55	132	60	588	1.7
60710-21	YW-8CU	60x50x55	176	80	784	1.7



60810 Mechanical universal



Item No.	Model	Base(mm) LxWxH	Force			Weight
			Lbs	Kg	N	kg
60810	WCE-6CB	58x50x55	132	60	588	1.4



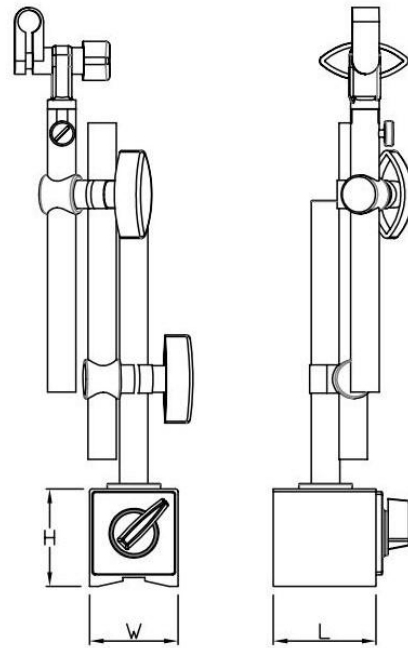
60920 Magnetic base with flexible stem



Item No.	Model	Base(mm) LxWxH	Force			Weight
			Lbs	Kg	N	Kg
60920-11	CV-6CD	58x50x55	132	60	588	1.4
60920-21	CV-8CD	60x50x58	176	80	784	1.4



61615 ST-B series magnetic stand



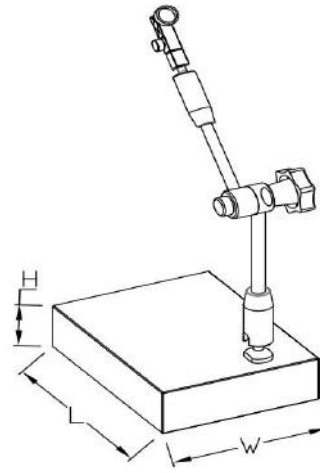
Item No.	Model	Main stem	Assistant stem	Branch stem	Weight
		mm	mm	mm	Kg
61615-01	ST-B6D	D16x200	/	D16x190	1.8
61615-02	ST-B16D	D16x200	D16x250	D16x190	2.1



ST-B6D

ST-B16D

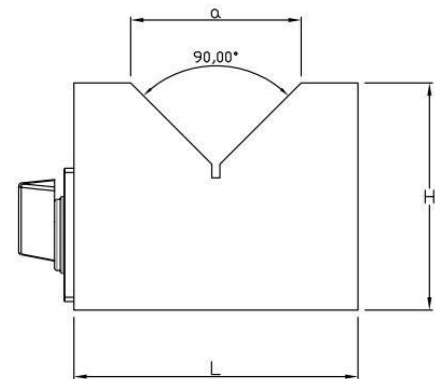
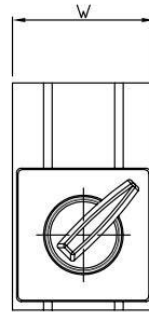
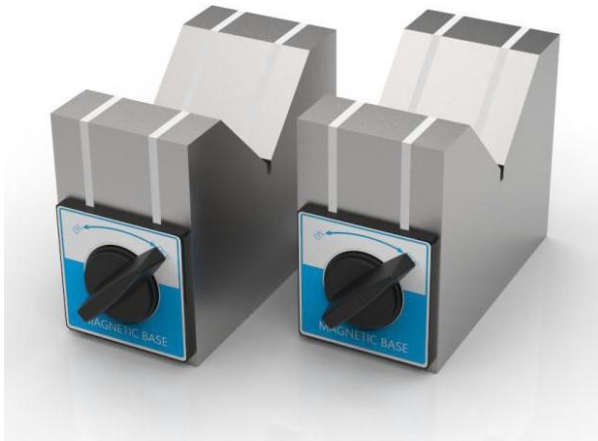
61805 ECD-GT type measuring table



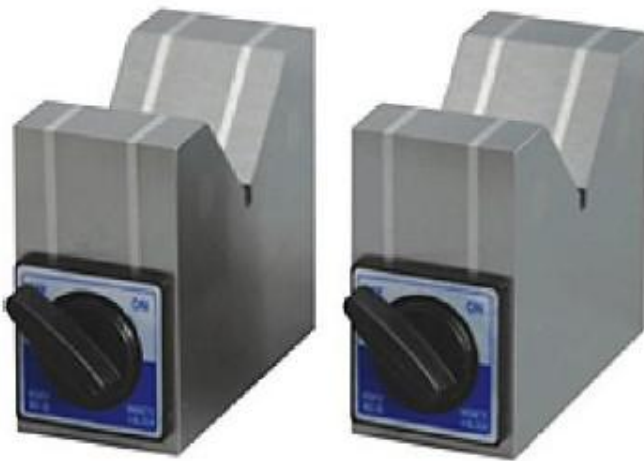
Item No.	Model	Overall stem length	Base(LxWxH)	Weight
		mm	mm	Kg
61805-2	ECD-GT2	330	200x150x50	5.6



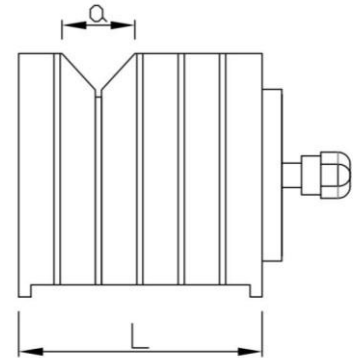
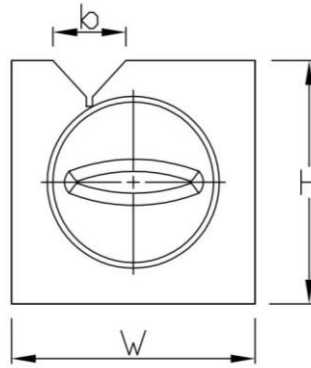
62105 Magnetic V Block



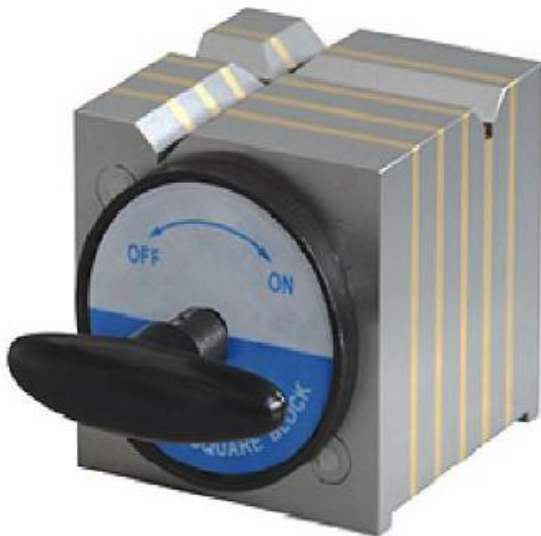
Item No.	Model	Applicable diameter mm	L mm	W mm	H mm	a mm	Force			Weight
							Lbs	Kg	N	Kg
62105-10	KMV-50B	50	70	40	50	34	33	15	147	1kgx2
62105-20	KMV-80B	80	100	50	80	60	44	20	196	3kgsx2
62105-30	KMV-125B	125	150	50	100	100	50	23	225.4	5kgsx2



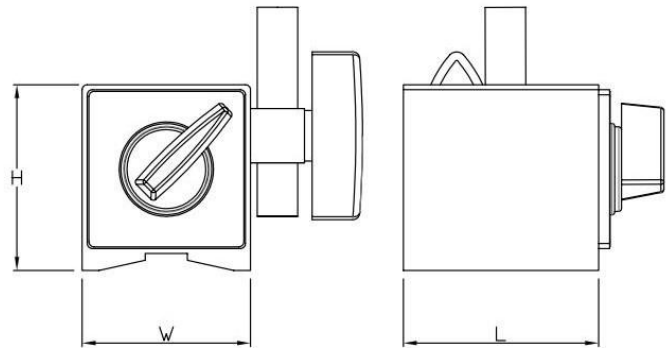
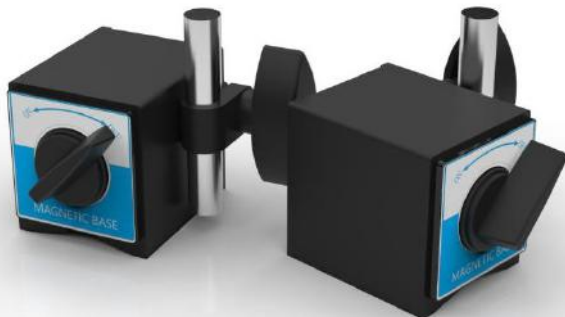
62405 Magnetic square type block



Item No.	Model	Force			L	W	H	a	Weight
		Lbs	Kg	N					
62405-10	F-31	66	30	294	100	100	100	26	8
62405-20	F-32	99	45	441	150	150	150	32	25.5



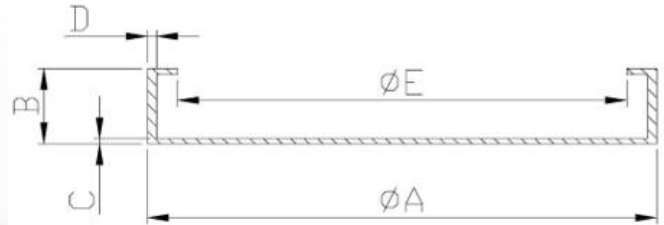
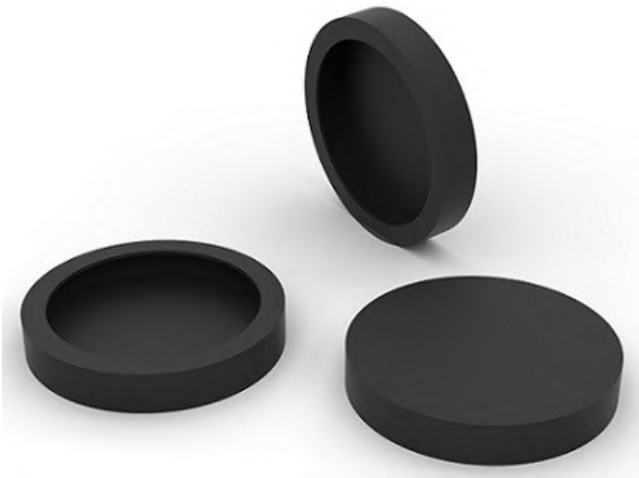
63501 Diamond NIB holder



Item No.	Model	Base(LxWxH) mm	Force			Weight
			Lbs	Kg	N	Kg
63501	CDR-I	58x50x55	132	60	588	1.1



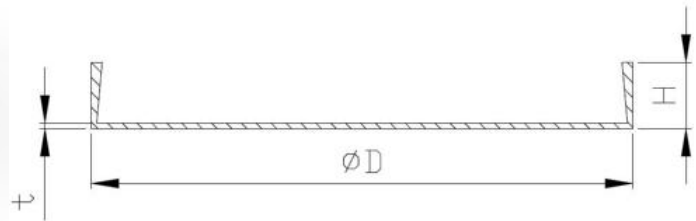
Rubber boot for ferrite pot magnet



Item No.	A	B	C	D	E	Weight
	mm	mm	mm	mm	mm	g
RCF-21	33.4	6.5	0.8	1.27	23.88	2.1
RCF-41	38.6	8.0	0.9	1.27	30.73	3.6
RCF-51	53.6	9.2	0.9	1.27	43.70	4.2
RCF-61	63.5	10.8	0.9	1.5	53.34	7.8
RCF-71	70.0	11.0	0.9	1.5	61.60	8.5
RCF-81	84.3	12.5	0.8	1.5	73.66	12.0

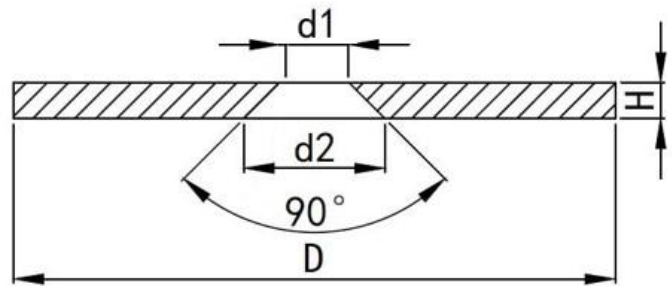


Rubber boot for NdFeB pot magnet



Item No.	D	t	H	Weight
	mm	mm	mm	g
RCN-11	11	0.5	3	0.16
RCN-14	14	0.5	3	0.2
RCN-17	17	0.5	3	0.3
RCN-21	21	0.5	5	0.5
RCN-26	26	0.5	5	0.7
RCN-33	33	0.5	5	1.0
RCN-41	41	0.5	6	1.6
RCN-49	49	0.5	6	2.0
RCN-51	51	0.5	6	2.2
RCN-61	61	0.5	6	3.0
RCN-64	64	0.5	6	3.5

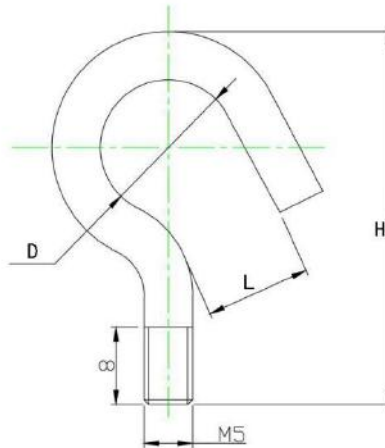
Steel plate



Item No.	D	d1	d2	H	Coating	Weight
	mm	mm	mm	mm		g
SDC-12	12	5.5	8.5	1.5	Ni	0.5
SDC-15	15	5.5	8.8	1.5	Ni	1.2
SDC-18	18	5.5	8.5	1.5	Ni	2.5
SDC-23	23	5.5	8.5	1.5	Ni	4
SDC-27	27	5.7	11.7	3	Ni	12
SDC-34	34	5.7	11.7	3	Ni	19
SDC-42	42	5.7	11.7	3	Ni	31
SDC-50	50	5.7	11.7	3	Ni	44
SDC-52	52	5.7	11.7	3	Ni	49
SDC-62	62	5.7	11.7	3	Ni	69



Hook and eyebolt



Item No.	D	L	H
	mm	mm	mm
M3 Hook	4	3	20
M4 Hook	5.5	4.5	22.5
M5 Hook	14	11	38.5
M6 Hook	26	19	50
M8 Hook	23	17	53
M4 Eyebolt	4.5	/	22.5
M5 Eyebolt	11	/	38.5
M6 Eyebolt	19	/	50





How to contact us:

Company: **Weizhong Magnetics Co.,Ltd**
Address: Room 808, Building 4, Zhongxin Guangchang,
99 Shangwu Dadao, Huaqiao, Kunshan,
Jiangsu Province, 215332, China
Tel: +86-512-50357618
Web: www.weizhongmagnetics.com
E-mail: sales@weizhongmagnetics.com