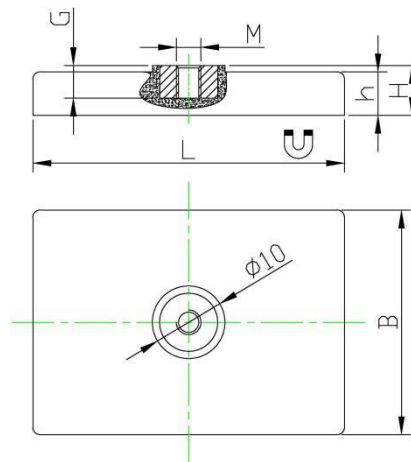
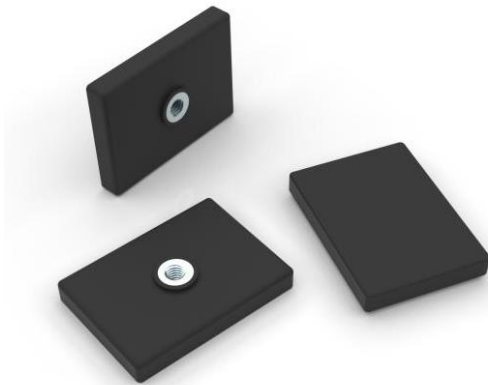
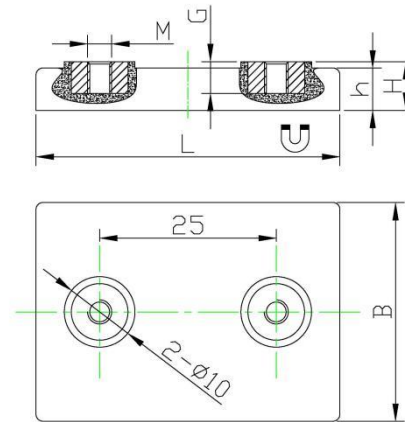


# Rectangular NdFeB Rubber coated magnet with female thread



Item No.	L	B	H	h	MxG	Force			Weight
	mm	mm	mm	mm	mm	Kg	N	Lbs	g
RCNL43F-2M4	43	31	6.9	6	M4x4.5	13	130	28	28.5
RCNL43F-M4	43	31	6.9	6	M4x4.5	13	130	28	27.5



\* We test the holding force of magnetic assembly by attaching it on a 20mm thick steel sheet at room temperature and then pulling it slowly in vertical direction with the device that is sensitive enough to record the strength at the moment when magnetic assembly is separated from the steel sheet. This is to give you a reference where the actual holding force in real application could be different with the change of, for example, pulling direction, thickness of the surface etc.