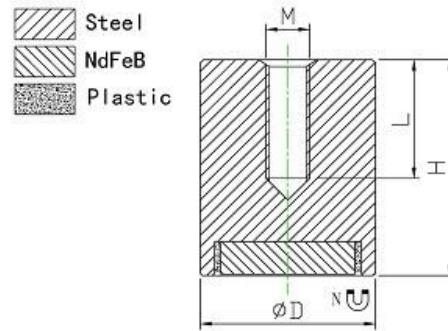


NdFeB deep pot magnet with threaded hole



Item No.	D	H	MXL	Force			Weight
	mm	mm	mm	Kg	N	Lbs	g
M-RDNE6F	6	20	M3x5	0.6	6	1.3	4
M-RDNE8F	8	20	M3x5	1.2	12	2.6	7.5
M-RDNE10F	10	20	M4x7	2.4	24	5.3	11
M-RDNE13F	13	20	M4x7	6	60	13	20
M-RDNE16F	16	20	M4x7	9	90	20	30
M-RDNE20F	20	25	M6x9	13	135	30	58
M-RDNE25F	25	35	M6x9	19	190	42	131
M-RDNE32F	32	40	M8x12	34	340	76	243
M-RDNE40F	40	50	M8x12	71	700	157	480
M-RDNE50F	50	60	M10x12	102	1000	225	900
M-RDNE63F	63	65	M12x14	173	1700	382	1560

*H can be shortened or machined without being damaged.

