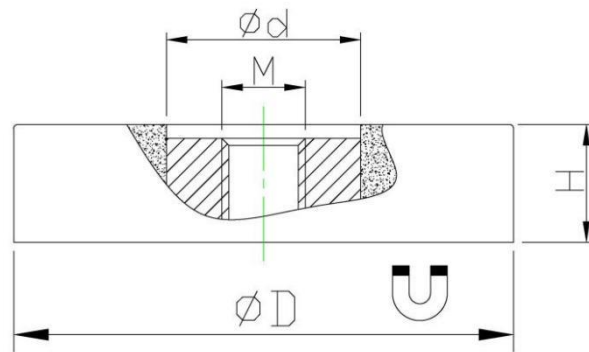
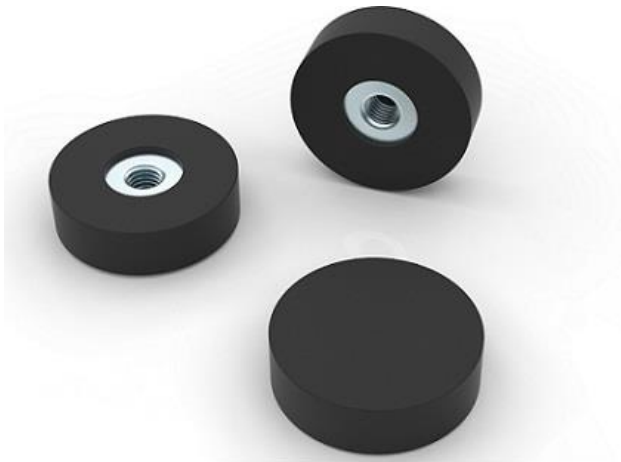


NdFeB rubber coated magnet with screw hole



Item No.	D	H	d	M	Force			Weight
	mm	mm	mm		Kg	N	Lbs	g
RCND20F	20	6	8	M4	3	31	7	7.5
RCND29F	29	8.5	12	M5	11	108	22	28
RCND36F	36	8.5	14	M6	20	201	45	49
RCND45F	45	9.5	14	M6	30	301	67	80



* We test the holding force of magnetic assembly by attaching it on a 20mm thick steel sheet at room temperature and then pulling it slowly in vertical direction with the device that is sensitive enough to record the strength at the moment when magnetic assembly is separated from the steel sheet. This is to give you a reference where the actual holding force in real application could be different with the change of, for example, pulling direction, thickness of the surface etc.