

03 Magnetic hooks

Powerful magnetic hooks is one of our largest group of magnet assemblies.

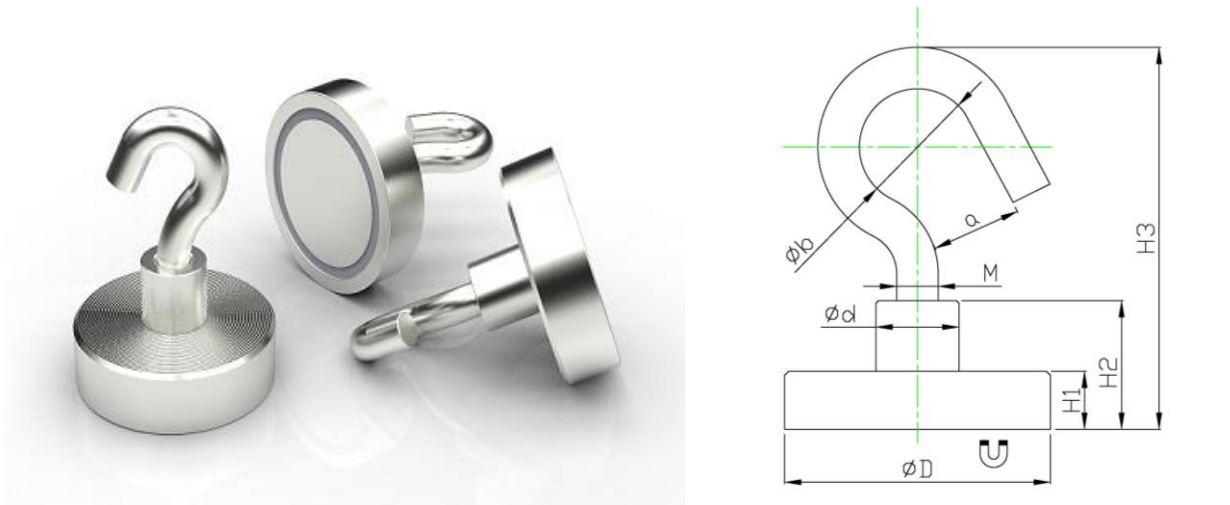
The earliest model is the ferrite flat pot magnet with hook, white powder painted, starting from which this group has been growing steadily, so there have been modifications, updates on the original one.



PRODUCT INFORMATION

- 1) We have a large assortment of magnetic hooks, such as pot magnet with hook, channel magnet with hook and plastic cased magnet with hooks etc.
- 2) Coating like Nickel, Zinc, white powder coated or colorful powder coated etc can be offered according to request.
- 3) Custom request on design, strength etc is workable.

NdFeB flat pot magnet with hook

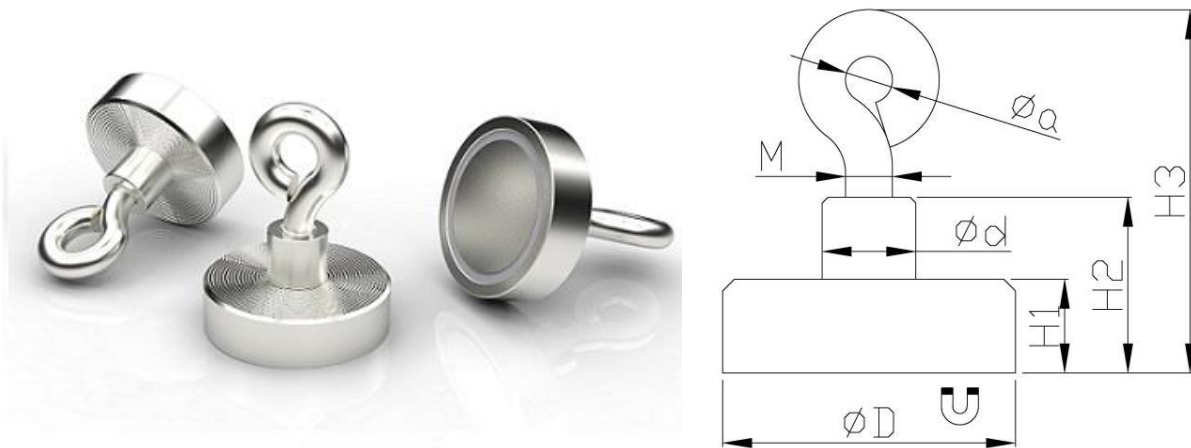


Item No.	D	d	H1	H2	H3	a	b	M	Force			Weight
	mm	mm	mm	mm	mm	mm	mm		Kg	N	Lbs	g
M-TNE10K	10	5	4.5	11.5	26	3.5	4	M3	3	29	6	5
M-TNE13K	13	5	4.5	11.5	26	3.5	4	M3	5	49	11	7
M-TNE16K	16	6	4.5	11.5	27	4.5	5.5	M4	8	78	17	11
M-TNE20K	20	8	6	13	29	4.5	5.5	M4	12	122	27	20
M-TNE25K	25	8	7	14	30	4.5	5.5	M4	18	176	39	30
M-TNE32K	32	10	7	15.5	45	11	14	M5	30	294	66	52
M-TNE40K	40	15	9	18	59	19	26	M6	55	539	121	115
M-TNE50K	50	15	9	18	62	17	23	M8	75	735	165	170
M-TNE63K	63	18	10	22	66	17	23	M8	105	1029	231	273



*We test the holding force of magnetic assembly by attaching it on a 20mm thick steel sheet at room temperature and then pulling it slowly in vertical direction with the device that is sensitive enough to record the strength at the moment when magnetic assembly is separated from the steel sheet. This is to give you a reference where the actual holding force in real application could be different with the change of, for example, pulling direction, thickness of the surface etc.

NdFeB flat pot magnet with eyelet

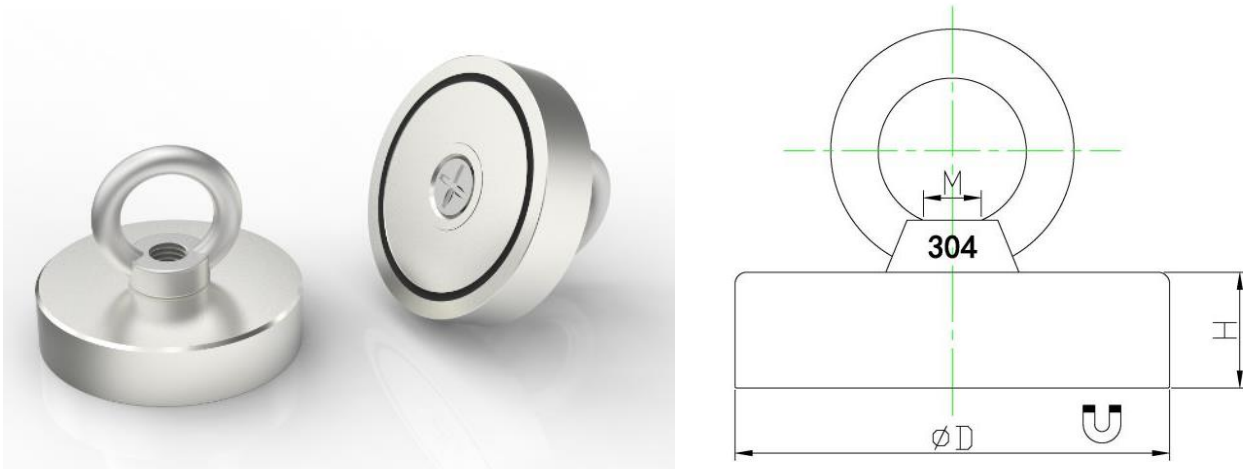


Item No.	D	d	H1	H2	H3	a	M	Force			weight
	mm	mm	mm	mm	mm	mm		Kg	N	Lbs	g
M-TNE16O	16	6	4.5	11.5	27	4.5	M4	8	78	17	10
M-TNE25O	25	8	7	14	30	4.5	M4	18	176	39	29
M-TNE32O	32	10	7	15.5	45	11	M5	30	294	66	53
M-TNE40O	40	15	9	18	59	19	M6	55	539	121	110



*We test the holding force of magnetic assembly by attaching it on a 20mm thick steel sheet at room temperature and then pulling it slowly in vertical direction with the device that is sensitive enough to record the strength at the moment when magnetic assembly is separated from the steel sheet. This is to give you a reference where the actual holding force in real application could be different with the change of, for example, pulling direction, thickness of the surface etc.

NdFeB pot magnet with countersunk and eyebolt

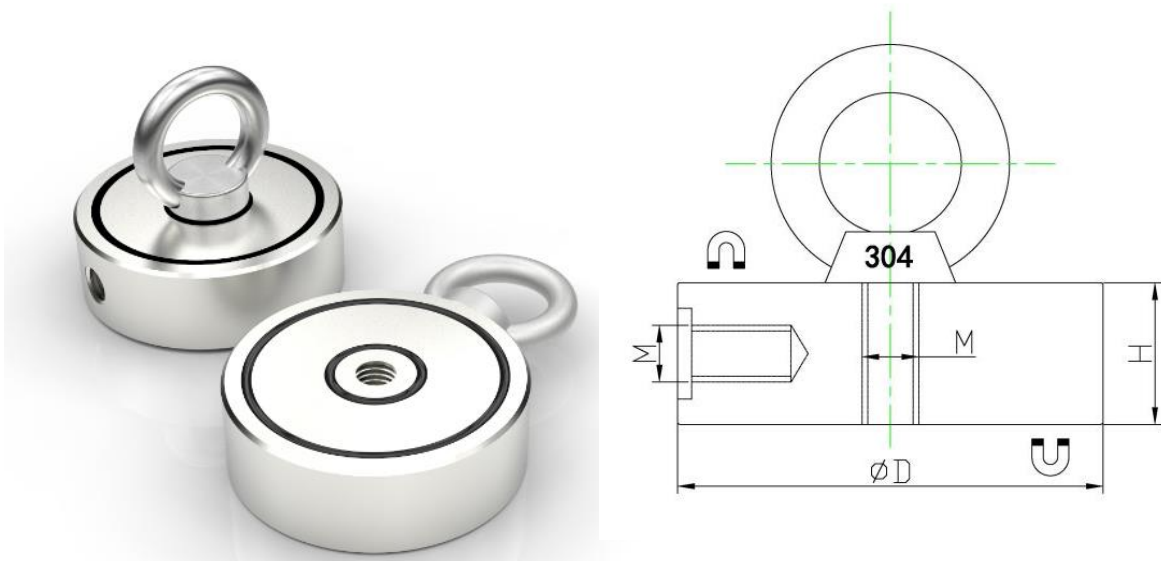


Item No.	D	H	M	Force			Weight
	mm	mm		Kg	N	Lbs	g
M-RBNB48R	48	18	8	50	490	110	295
M-RBNB60R	60	18	8	100	980	220	438
M-RBNB75R	75	20	10	200	1960	440	754
M-RBNB94R	94	20	10	300	2940	661	1151
M-RBNB116R	116	25	12	400	3920	881	2175
M-RBNB135R	135	25	12	600	5880	1322	2910



*We test the holding force of magnetic assembly by attaching it on a 20mm thick steel sheet at room temperature and then pulling it slowly in vertical direction with the device that is sensitive enough to record the strength at the moment when magnetic assembly is separated from the steel sheet. This is to give you a reference where the actual holding force in real application could be different with the change of, for example, pulling direction, thickness of the surface etc.

Double sided NdFeB pot magnet with eyebolt

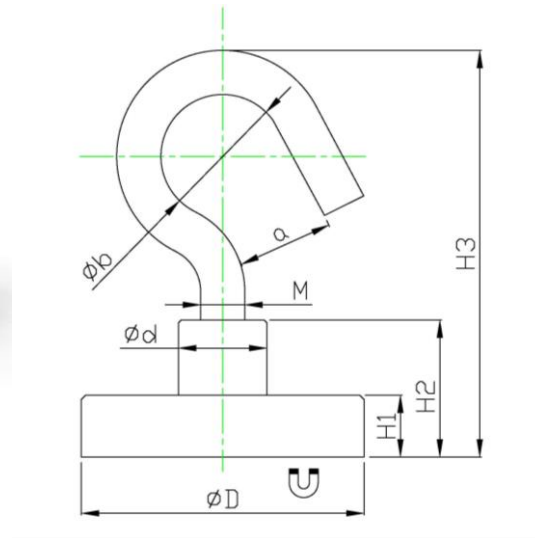


Item No.	D	H	M	Force			Weight
	mm	mm		Kg	N	Lbs	g
M-RBNB48T	48	20	8	50x2	490x2	110x2	315
M-RBNB60T	60	20	8	100x2	980x2	220x2	475
M-RBNB75T	75	25	10	200x2	1960x2	440x2	1100
M-RBNB94T	94	35	10	300x2	2940x2	661x2	1860
M-RBNB116T	116	40	12	400x2	3920x2	881x2	3335
M-RBNB135T	135	40	12	600x2	5880x2	1322x2	4350



*We test the holding force of magnetic assembly by attaching it on a 20mm thick steel sheet at room temperature and then pulling it slowly in vertical direction with the device that is sensitive enough to record the strength at the moment when magnetic assembly is separated from the steel sheet. This is to give you a reference where the actual holding force in real application could be different with the change of, for example, pulling direction, thickness of the surface etc.

NdFeB flat pot magnet with hook, white powder coated

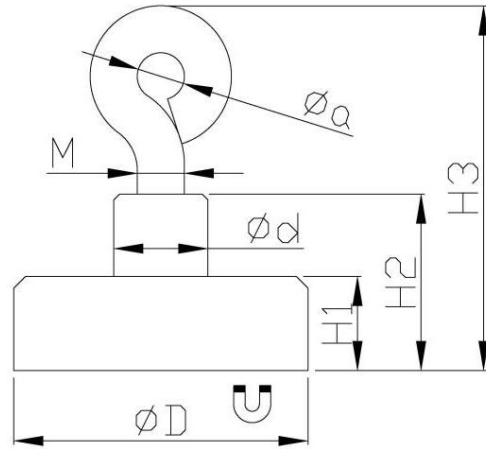


Item No.	D	d	H1	H2	H3	a	b	M	Force			color
	mm	mm	mm	mm	mm	mm	mm		Kg	N	Lbs	
M-TNE16K-W	16.3	6.3	4.8	11.8	27.3	4.2	5.2	M4	5	49	11	White
M-TNE25K-W	25.3	8.3	7.3	14.3	30.3	4.2	5.2	M4	18	176	39	White
M-TNE32K-W	32.3	10.3	7.3	15.8	45.3	10.8	13.7	M5	28	274	61	White
M-TNE40K-W	40.3	15.3	9.3	18.3	59.3	18.7	25.7	M6	39	382	86	White



*We test the holding force of magnetic assembly by attaching it on a 20mm thick steel sheet at room temperature and then pulling it slowly in vertical direction with the device that is sensitive enough to record the strength at the moment when magnetic assembly is separated from the steel sheet. This is to give you a reference where the actual holding force in real application could be different with the change of, for example, pulling direction, thickness of the surface etc.

NdFeB flat pot magnet with eyelet, white powder coated

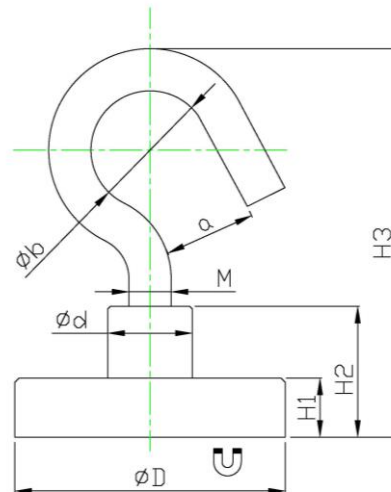


Item No.	D	d	H1	H2	H3	a	M	Force			weight
	mm	mm	mm	mm	mm	mm		Kg	N	Lbs	g
M-TNE16O-W	16.3	6.3	4.8	11.8	27.3	4.2	M4	5	49	11	11
M-TNE25O-W	25.3	8.3	7.3	14.3	30.3	4.2	M4	16	156	35	30
M-TNE32O-W	32.3	10.3	7.3	15.8	45.3	10.7	M5	28	274	61	56
M-TNE40O-W	40.3	15.3	9.3	18.3	59.3	18.7	M6	39	382	85	117



*We test the holding force of magnetic assembly by attaching it on a 20mm thick steel sheet at room temperature and then pulling it slowly in vertical direction with the device that is sensitive enough to record the strength at the moment when magnetic assembly is separated from the steel sheet. This is to give you a reference where the actual holding force in real application could be different with the change of, for example, pulling direction, thickness of the surface etc.

NdFeB flat pot magnets with hook in different colors

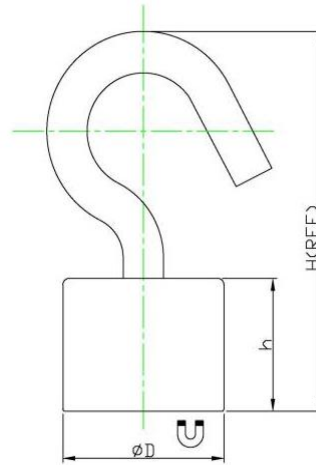


Item No.	D	d	H1	H2	H3	a	b	M	Force			Color
	mm	mm	mm	mm	mm	mm	mm		Kg	N	Lbs	
M-TNE20K-B	20.3	8.3	6.3	13.3	30.1	4.2	5.2	M4	13	127	28	Black
M-TNE20K-G	20.3	8.3	6.3	13.3	30.1	4.2	5.2	M4	13	127	28	Green
M-TNE32K-B	32.3	10.3	7.3	15.8	45.3	10.8	13.7	M5	28	274	61	Black
M-TNE32K-G	32.3	10.3	7.3	15.8	45.3	10.8	13.7	M5	28	274	61	Green



*We test the holding force of magnetic assembly by attaching it on a 20mm thick steel sheet at room temperature and then pulling it slowly in vertical direction with the device that is sensitive enough to record the strength at the moment when magnetic assembly is separated from the steel sheet. This is to give you a reference where the actual holding force in real application could be different with the change of, for example, pulling direction, thickness of the surface etc.

NdFeB deep pot magnet with hook

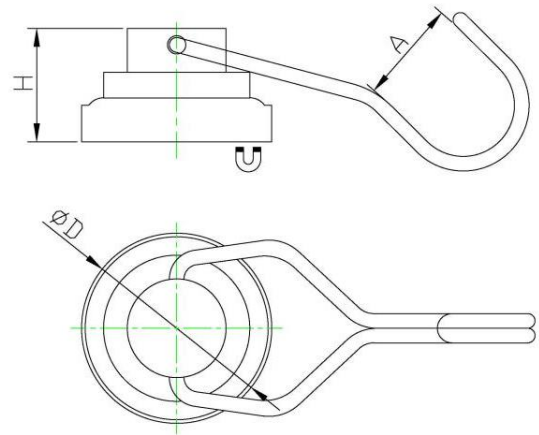


Item No	D	h	H	M	Force			Weight
	mm	mm	mm		Kg	N	Lbs	g
M-RBNE16K	16	12	30	M4	10	100	22	21
M-RBNE20K	20	16	40	M5	15	150	33	44
M-RBNE25K	25	16	40	M5	25	250	56	66



*We test the holding force of magnetic assembly by attaching it on a 20mm thick steel sheet at room temperature and then pulling it slowly in vertical direction with the device that is sensitive enough to record the strength at the moment when magnetic assembly is separated from the steel sheet. This is to give you a reference where the actual holding force in real application could be different with the change of, for example, pulling direction, thickness of the surface etc.

NdFeB pot magnet with swivel hook and rubber cap



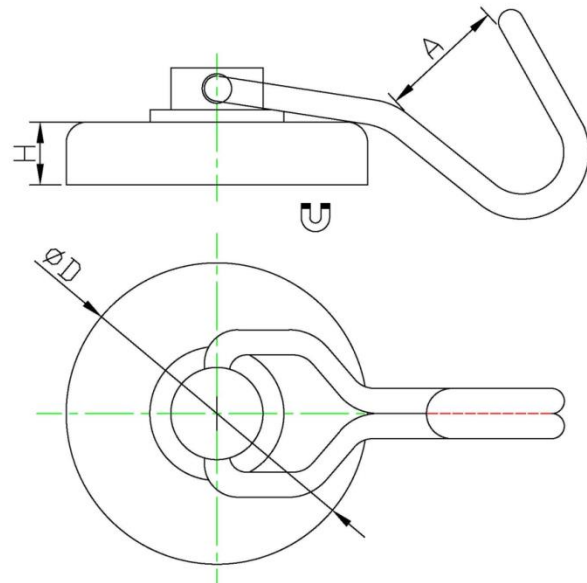
Item No.	D	H	A	Force(without rubber cap)		
	mm	mm	mm	Kg	N	Lbs
FTNT-25R	26	15.5	14mm	20	196	44
FTNT-25	25	25	14mm	20	196	44
FTNT-40	40.2	18	18mm	20	196	44

Item No ended with letter "R" means magnet with rubber cap.



*We test the holding force of magnetic assembly by attaching it on a 20mm thick steel sheet at room temperature and then pulling it slowly in vertical direction with the device that is sensitive enough to record the strength at the moment when magnetic assembly is separated from the steel sheet. This is to give you a reference where the actual holding force in real application could be different with the change of, for example, pulling direction, thickness of the surface etc.

Ferrite white powder coated magnet with swivel hook

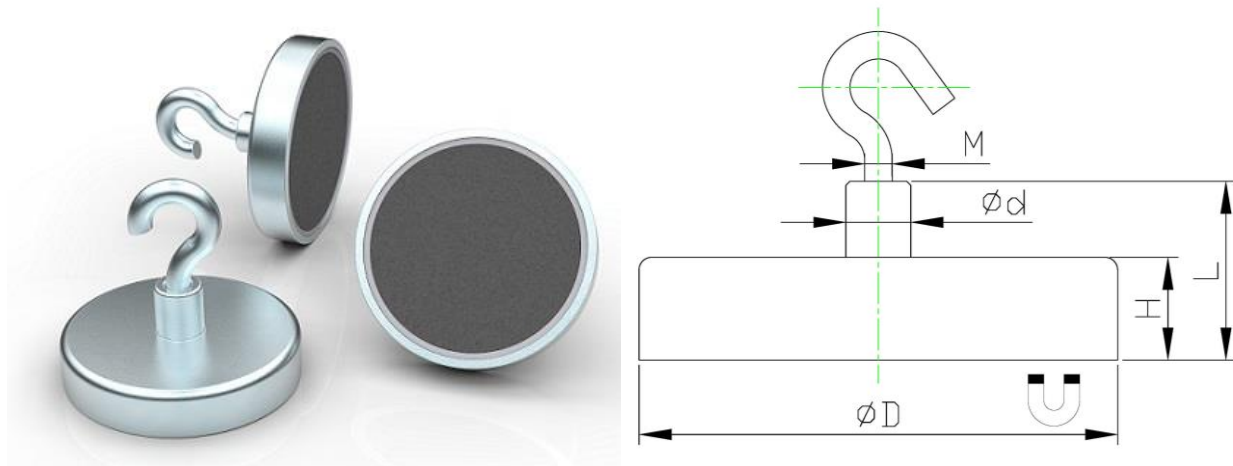


Item No.	D	H	Hook opening	Force (with protect film)		
	mm	mm		Kg	N	Lbs
FTFT-36-W	36	7	15	5	49	11



*We test the holding force of magnetic assembly by attaching it on a 20mm thick steel sheet at room temperature and then pulling it slowly in vertical direction with the device that is sensitive enough to record the strength at the moment when magnetic assembly is separated from the steel sheet. This is to give you a reference where the actual holding force in real application could be different with the change of, for example, pulling direction, thickness of the surface etc.

Ferrite flat pot magnet with hook

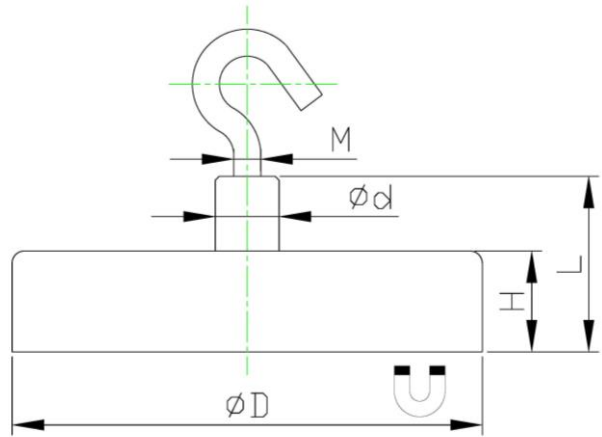


Item No.	D	H	L	d	M	Force			weight	Fixing
	mm	mm	mm	mm		Kg	N	Lbs	g	
TFE16K	16	4.5	11.5	6	M3	1.8	18	4	7	Hook
TFE20K	20	6	13	8	M4	3	30	6.7	14	Hook
TFE25K	25	7	15	8	M4	4	40	9	21	Hook
TFE32K	32	7	15	8	M4	8	80	18	33	Hook
TFE36K	36	7.7	16	8	M4	10	100	22	44	Hook
TFE40K	40	8	16.5	8	M4	12	125	28	56	Hook
TFE47K	47	9	17	8	M4	18	180	40	85	Hook
TFE50K	50	10	18.5	8	M4	22	220	49	107	Hook
TFE57K	57	10.5	18.5	8	M4	28	280	63	149	Hook
TFE63K	63	14	30	8	M4	35	350	78	214	Hook
TFE80K	80	18	28.5	12	M6	61	600	135	485	Hook eye



*We test the holding force of magnetic assembly by attaching it on a 20mm thick steel sheet at room temperature and then pulling it slowly in vertical direction with the device that is sensitive enough to record the strength at the moment when magnetic assembly is separated from the steel sheet. This is to give you a reference where the actual holding force in real application could be different with the change of, for example, pulling direction, thickness of the surface etc.

Ferrite flat pot magnet with hook, white powder coated



Item No.	D	H	L	d	M	Force			weight	Fixing
	mm	mm	mm	mm		Kg	N	Lbs	g	
TFE16K-W	16	4.5	11.5	6	M3	1	10	2	7	Hook
TFE20K-W	20	6	13	8	M4	3	30	6.7	14	Hook
TFE25K-W	25	7	15	8	M4	4	40	9	21	Hook
TFE32K-W	32	7	15	8	M4	8	80	18	33	Hook
TFE36K-W	36	7.7	16	8	M4	10	100	22	44	Hook
TFE40K-W	40	8	16.5	8	M4	12	125	28	56	Hook
TFE47K-W	47	9	17	8	M4	18	180	40	85	Hook
TFE50K-W	50	10	18.5	8	M4	22	220	49	107	Hook
TFE57K-W	57	10.5	18.5	8	M4	28	280	63	149	Hook
TFE63K-W	63	14	30	8	M4	35	350	78	214	Hook
TFE80K-W	80	18	28.5	12	M6	61	600	135	485	Hook eye



*We test the holding force of magnetic assembly by attaching it on a 20mm thick steel sheet at room temperature and then pulling it slowly in vertical direction with the device that is sensitive enough to record the strength at the moment when magnetic assembly is separated from the steel sheet. This is to give you a reference where the actual holding force in real application could be different with the change of, for example, pulling direction, thickness of the surface etc.

Ferrite flat pot magnet with hook, powder coated

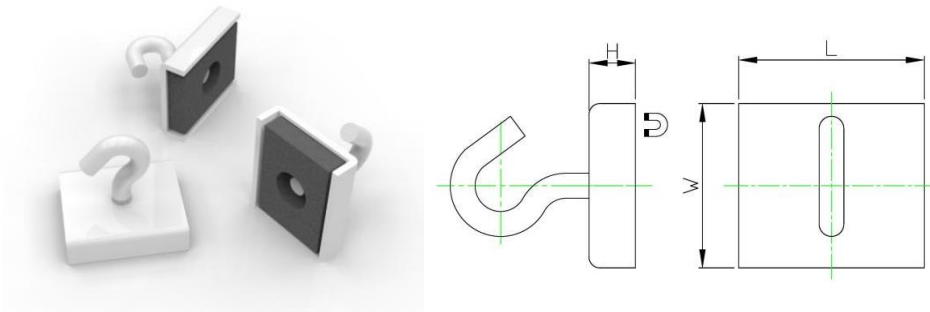


Item No.	D	H	L	d	M	Force			weight	Color
	mm	mm	mm	mm		Kg	N	Lbs	g	
TFE32K-B	32	7	15	8	M4	8	80	18	33	Black
TFE32K-W	32	7	15	8	M4	8	80	18	33	White
TFE32K-R	32	7	15	8	M4	8	80	18	33	Red
TFE32K-Y	32	7	15	8	M4	8	80	18	33	Yellow
TFE32K-G	32	7	15	8	M4	8	80	18	33	Green
TFE32K-BL	32	7	15	8	M4	8	80	18	33	Blue

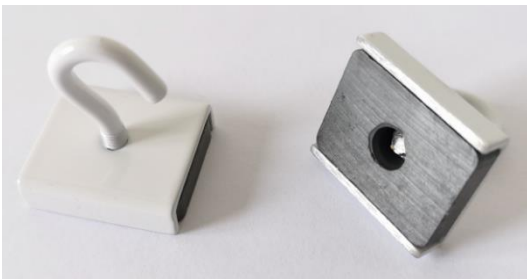


*We test the holding force of magnetic assembly by attaching it on a 20mm thick steel sheet at room temperature and then pulling it slowly in vertical direction with the device that is sensitive enough to record the strength at the moment when magnetic assembly is separated from the steel sheet. This is to give you a reference where the actual holding force in real application could be different with the change of, for example, pulling direction, thickness of the surface etc.

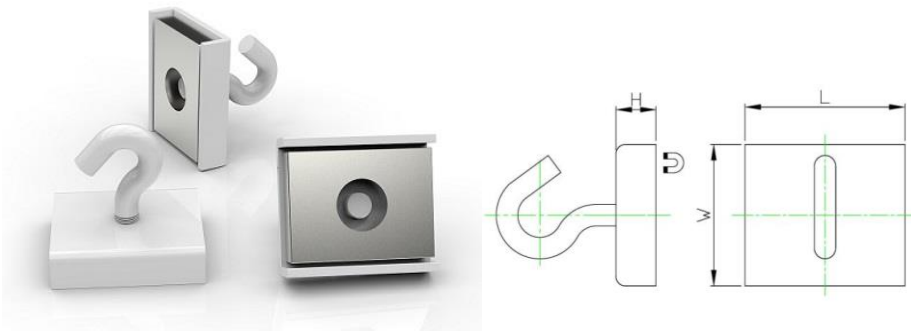
Ferrite channel magnet with hook, white powder coated 1"



Item No.	L	W	H	Force		
	mm	mm	mm	Kg	N	Lbs
CHFL1K-W	25.4	22.7	6.7	4	39	9



NdFeB channel magnet with hook, white powder coated 1"

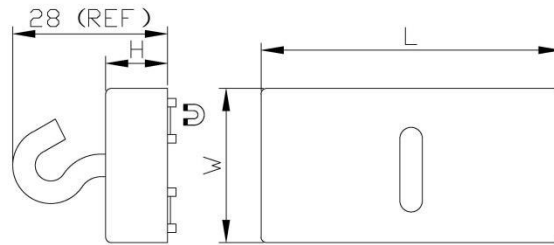


Item No.	L	W	H	Force		
	mm	mm	mm	Kg	N	Lbs
CHNL1K-W	25.4	22.7	6.35	10	98	22



*We test the holding force of magnetic assembly by attaching it on a 20mm thick steel sheet at room temperature and then pulling it slowly in vertical direction with the device that is sensitive enough to record the strength at the moment when magnetic assembly is separated from the steel sheet. This is to give you a reference where the actual holding force in real application could be different with the change of, for example, pulling direction, thickness of the surface etc.

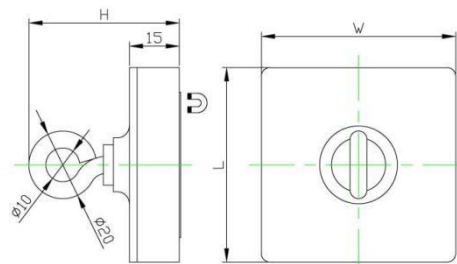
Plastic cased magnet with hook



Item No.	L	W	H	Force			weight
	mm	mm	mm	Kg	N	Lbs	g
PCFL53K-W	53	27.5	11	15	147	33	53



Plastic cased magnet with eyelet

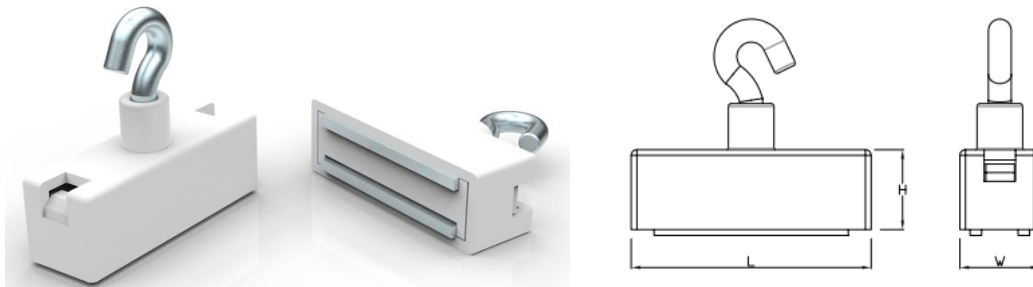


Item No.	L	W	H	Force			weight
	mm	mm	mm	Kg	N	Lbs	g
PCFL58O	58	58	44	30	294	66	130

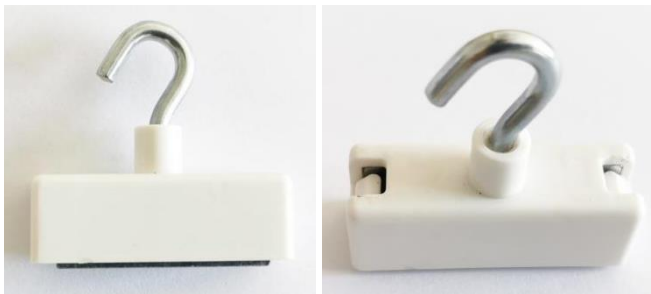


*We test the holding force of magnetic assembly by attaching it on a 20mm thick steel sheet at room temperature and then pulling it slowly in vertical direction with the device that is sensitive enough to record the strength at the moment when magnetic assembly is separated from the steel sheet. This is to give you a reference where the actual holding force in real application could be different with the change of, for example, pulling direction, thickness of the surface etc.

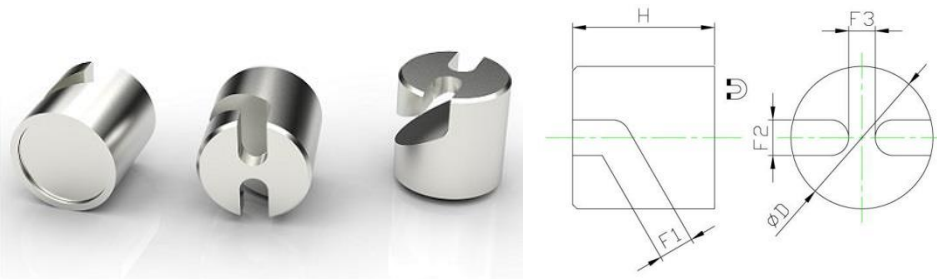
Plastic cased magnetic ceiling hook



Item No.	L	W	H	Force		
	mm	mm	mm	Kg	N	Lbs
PCFL42K-W	42	14	14	5.6	55	33



NdFeB memo magnet with notch



Item No.	D	H	F1	F2	F3	Force			weight
	mm	mm	mm	mm	mm	Kg	N	Lbs	g
RDNE16S	16	16	4	4	3	4	40	9	20



*We test the holding force of magnetic assembly by attaching it on a 20mm thick steel sheet at room temperature and then pulling it slowly in vertical direction with the device that is sensitive enough to record the strength at the moment when magnetic assembly is separated from the steel sheet. This is to give you a reference where the actual holding force in real application could be different with the change of, for example, pulling direction, thickness of the surface etc.

Customized magnetic hooks



*We test the holding force of magnetic assembly by attaching it on a 20mm thick steel sheet at room temperature and then pulling it slowly in vertical direction with the device that is sensitive enough to record the strength at the moment when magnetic assembly is separated from the steel sheet. This is to give you a reference where the actual holding force in real application could be different with the change of, for example, pulling direction, thickness of the surface etc.