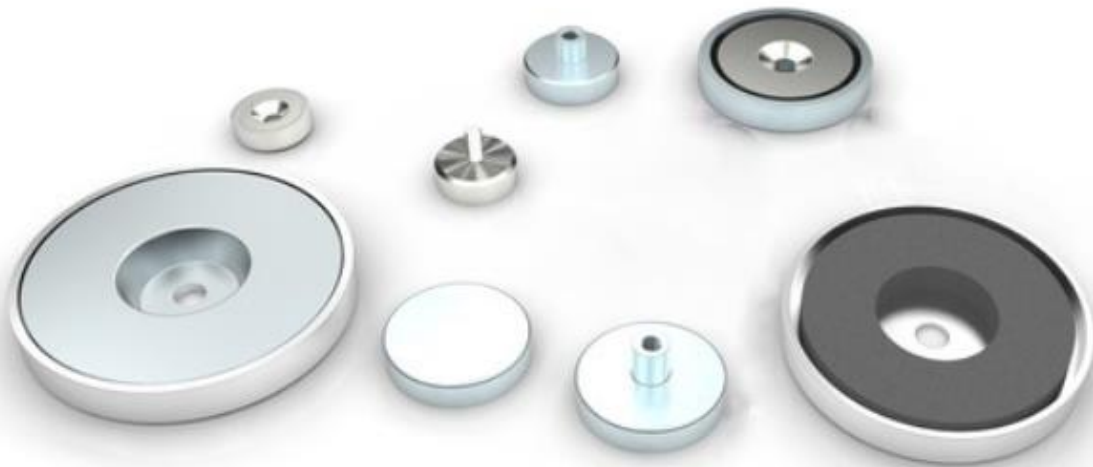


## 02 Pot magnet

Pot magnet is named after its shape.

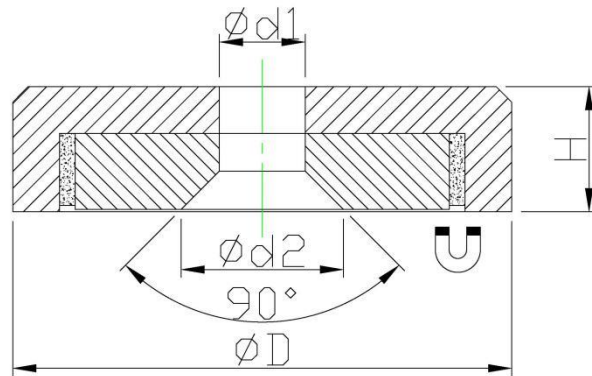
By gluing a round shape magnet into a steel pot/cup you get a prototype pot magnet and based on that prototype there are so many extensions being made by adding different accessories, using different shape component.



### PRODUCT INFORMATION

- 1) Our pot magnets come in different shapes, sizes, forces, and are mounted with different accessories to meet the application request as much as possible.
- 2) Standard coating is Nickel & Zinc, other coating like Chrome or blackening can be fulfilled.
- 3) Custom request on shape, strength and coating etc can be offered.

# NdFeB flat pot magnet with countersunk

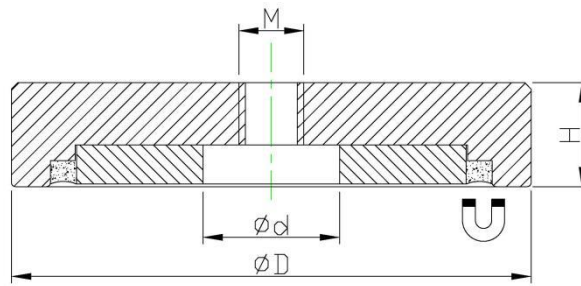


Item No.	D	H	d1	d2	Force			Weight
	mm	mm	mm	mm	Kg	N	Lbs	g
M-RBNC13	13	4.5	3.5	6.6	4	40	9	4
M-RBNC16	16	4.5	3.5	6.6	7	75	17	6
M-RBNC20	20	6	4.5	9.3	10	105	23	13
M-RBNC25	25	7	4.5	9	16	160	36	24
M-RBNC32	32	7	5.5	11	31	310	69	39
M-RBNC40	40	8	5.5	10.3	51	500	112	73
M-RBNC60	60	15	8.5	16	112	1097	246	250
M-RBNC75	75	18	10.5	19	162	1587	357	480



\*We test the holding force of magnetic assembly by attaching it on a 20mm thick steel sheet at room temperature and then pulling it slowly in vertical direction with the device that is sensitive enough to record the strength at the moment when magnetic assembly is separated from the steel sheet. This is to give you a reference where the actual holding force in real application could be different with the change of, for example, pulling direction, thickness of the surface etc.

# NdFeB flat pot magnet with screw hole

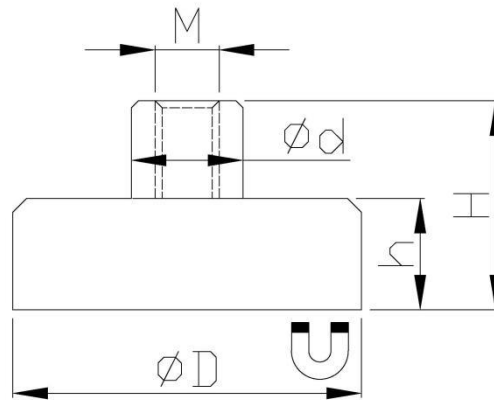


Item No.	D	d	H	M	Force			Weight
	mm	mm	mm		Kg	N	Lbs	g
M-RBNB25F	25	4.5	7	M4	16	160	36	24
M-RBNB32F	32	5.5	7	M5	33	330	74	40
M-RBNB40F	40	10.5	8	M5	51	500	112	74
M-RBNB50F	50	10.5	10	M8	81	800	180	140
M-RBNB60F	60	8.5	15	M8	95	931	209	250
M-RBNB63F	63	11.7	14	M10	112	1100	247	315
M-RBNB75F	74.6	11.7	15	M10	178	1750	393	479



\*We test the holding force of magnetic assembly by attaching it on a 20mm thick steel sheet at room temperature and then pulling it slowly in vertical direction with the device that is sensitive enough to record the strength at the moment when magnetic assembly is separated from the steel sheet. This is to give you a reference where the actual holding force in real application could be different with the change of, for example, pulling direction, thickness of the surface etc.

# NdFeB flat pot magnet with internal threaded bush

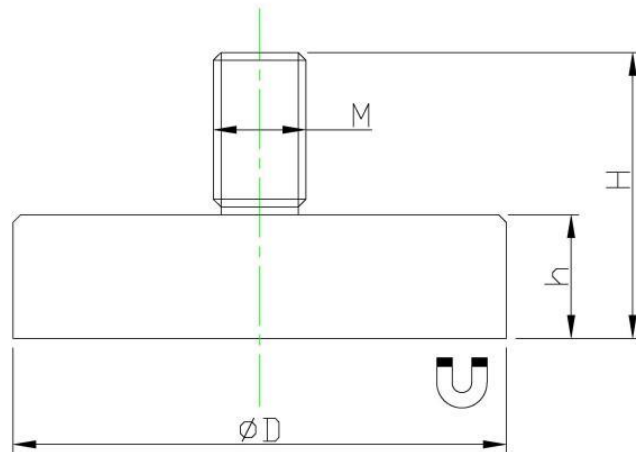
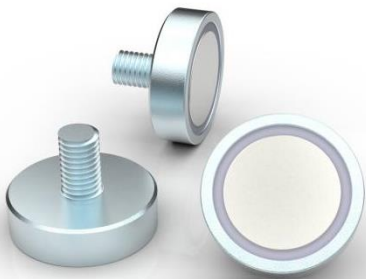


Item No.	D	d	H	h	M	Force			Weight
	mm	mm	mm	mm		Kg	N	Lbs	g
M-TNE6F	6	6	11.5	4.5	M3	0.5	5	1	2
M-TNE8F	8	6	11.5	4.5	M3	1.3	13	3	3
M-TNE10F	10	6	11.5	4.5	M3	2.5	25	5	4
M-TNE13F	13	6	11.5	4.5	M3	6	60	13	5
M-TNE16F	16	6	11.5	4.5	M4	9	95	21	7
M-TNE20F	20	8	13	6	M4	14	140	31	16
M-TNE25F	25	8	14	7	M4	20	200	45	27
M-TNE32F	32	10	15.5	7	M5	35	350	78	45
M-TNE40F	40	10	18	8	M6	68	670	150	80
M-TNE50F	50	15	18	9	M8	75	735	165	170
M-TNE60F	60	14	15	30	M8	113	1107	249	263
M-TNE75F	75	16	15	34	M10	164	1607	361	515



\*We test the holding force of magnetic assembly by attaching it on a 20mm thick steel sheet at room temperature and then pulling it slowly in vertical direction with the device that is sensitive enough to record the strength at the moment when magnetic assembly is separated from the steel sheet. This is to give you a reference where the actual holding force in real application could be different with the change of, for example, pulling direction, thickness of the surface etc.

# NdFeB flat pot magnet with threaded stud



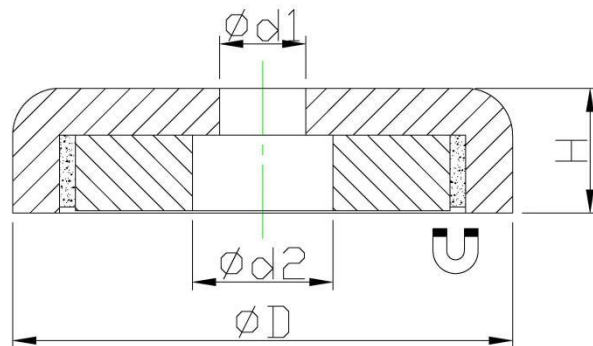
Item No.	D	H	h	M	Force			Weight
	mm	mm	mm		Kg	N	Lbs	g
M-TNE10M	10	12.5	4.5	M4	2.5	25	5	3
M-TNE13M	13	12.5	4.5	M5	6	60	13	5
M-TNE16M	16	12.5	4.5	M6	9	95	21	8
M-TNE20M	20	16	6	M6	14	140	31	15
M-TNE25M	25	17	7	M6	20	200	45	27
M-TNE32M	32	17	7	M6	35	350	78	42
M-TNE40M	40	20	8	M8	68	670	150	80
M-TNE48M	48	11.5	24	M8	85	833	187	135
M-TNE60M	60	15	30	M8	125	1225	275	260
M-TNE75M	75	15	34	M10	164	1607	361	550



\*We test the holding force of magnetic assembly by attaching it on a 20mm thick steel sheet at room temperature and then pulling it slowly in vertical direction with the device that is sensitive enough to record the strength at the moment when magnetic assembly is separated from the steel sheet. This is to give you a reference where the actual holding force in real application could be different with the change of, for example, pulling direction, thickness of the surface etc.

02 Pot Magnet

# NdFeB pot magnet with mounting hole



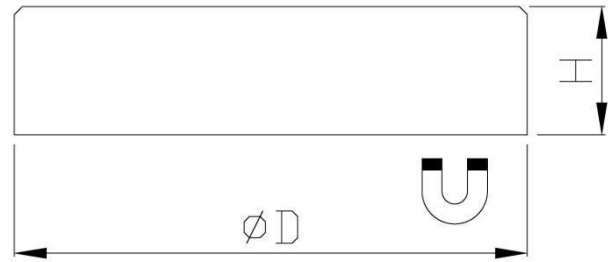
Item No.	D	d1	d2	H	Force			Weight
	mm	mm	mm	mm	Kg	N	Lbs	g
RBNB16	16	3.5	6.5	5	4	39	9	6
RBNB20	20	4.5	8	7	6	58	13	12
RBNB25	25	5.5	9	8	14	137	30	23
RBNB32	32	5.5	9	8	23	225	50	36
RBNB42	42	6.5	11	9	32	313	70	73
RBNB48	48	8.5	15	11.5	63	617	138	110
RBNB60	60	8.5	15	15	95	931	209	260
M-RBNB75	75	10.5	18	18	155	1519	341	429

Detailed: Steel pot punched or lathe machined (with M in beginning of part number).



\*We test the holding force of magnetic assembly by attaching it on a 20mm thick steel sheet at room temperature and then pulling it slowly in vertical direction with the device that is sensitive enough to record the strength at the moment when magnetic assembly is separated from the steel sheet. This is to give you a reference where the actual holding force in real application could be different with the change of, for example, pulling direction, thickness of the surface etc.

# NdFeB flat pot magnet



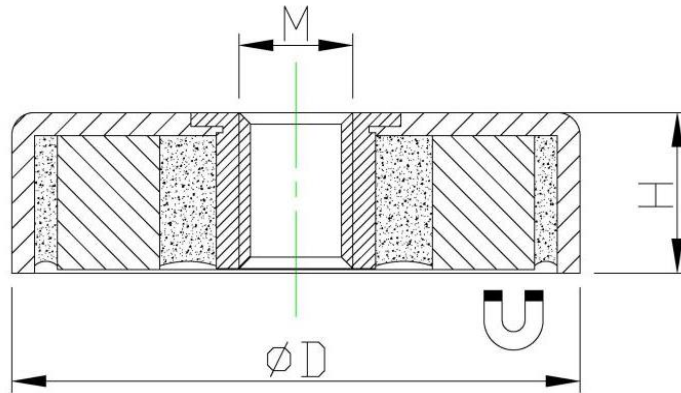
Item No.	D	H	Force			Weight
	mm	mm	Kg	N	Lbs	g
M-RBNE6	6	4.5	0.5	5	1	1
M-RBNE8	8	4.5	1.3	13	3	2
M-RBNE10	10	4.5	2.5	25	5	3
M-RBNE13	13	4.5	6	60	13	4
M-RBNE16	16	4.5	9	95	21	6
M-RBNE20	20	6	14	140	31	14
M-RBNE25	25	7	20	200	45	25
M-RBNE32	32	7	35	350	78	41
M-RBNE42	42	9	68	666	149	85
M-RBNE48	48	11.5	85	833	187	130
M-RBNE60	60	15	125	1225	275	260



\*We test the holding force of magnetic assembly by attaching it on a 20mm thick steel sheet at room temperature and then pulling it slowly in vertical direction with the device that is sensitive enough to record the strength at the moment when magnetic assembly is separated from the steel sheet. This is to give you a reference where the actual holding force in real application could be different with the change of, for example, pulling direction, thickness of the surface etc.

02 Pot Magnet

# NdFeB pot magnet with internal threaded hole



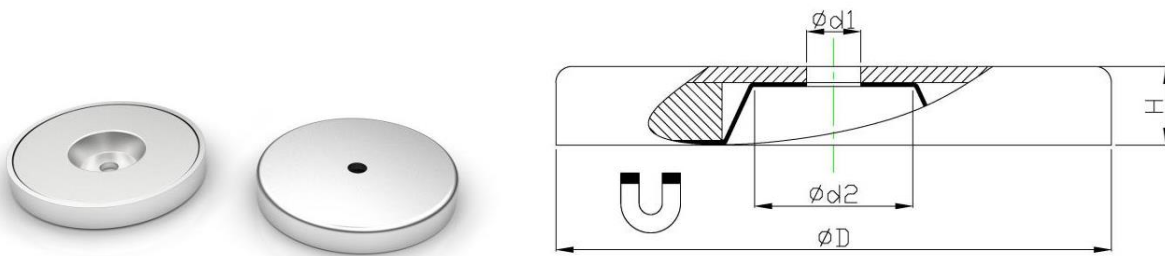
Item No	D	H	M	Force			Weight
	mm	mm		Kg	N	Lbs	g
RBNB10F	10	4.5	M3	1.1	11	2.4	3
RBNB13F	13	4.5	M3	3	29	6	5
RBNB16F	16	4.5	M4	5	50	11	7
RBNB20F	20	6	M4	7	73	16	11
RBNB25F	25	7	M5	14	139	31	21
RBNB32F	32	7	M6	26	254	57	36
RBNB40F	40	8	M6	40	392	88	68
RBNB48F	48	11.5	M8	58	568	127	137
RBNB60F	60	15	M8	92	901	202	263



\*We test the holding force of magnetic assembly by attaching it on a 20mm thick steel sheet at room temperature and then pulling it slowly in vertical direction with the device that is sensitive enough to record the strength at the moment when magnetic assembly is separated from the steel sheet. This is to give you a reference where the actual holding force in real application could be different with the change of, for example, pulling direction, thickness of the surface etc.



# NdFeB flat pot magnet with stainless steel cover

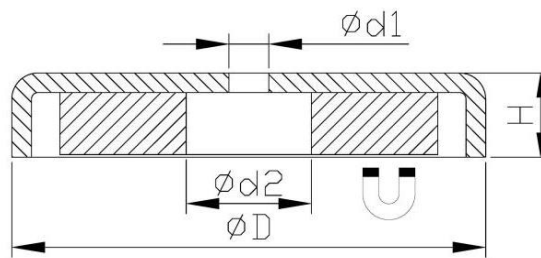
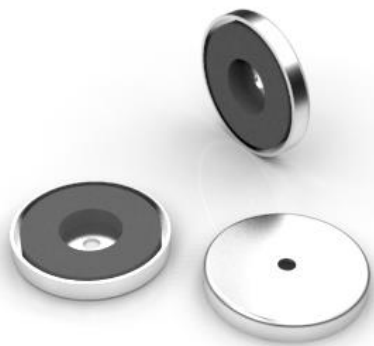


Item No.	D	H	d1	d2	Force			Weight
	mm	mm	mm	mm	Kg	N	Lbs	g
RBNM30	30.70	4.70	3.20	6.00	15	155	35	21
RBNM40	36.00	6.90	4.75	9.65	29	289	65	38
RBNM50	51.71	7.60	4.90	15.24	40	400	90	65
RBNM60	60.32	8.90	6.86	16.26	50	489	110	117
RBNM70	68.20	9.50	6.98	17.48	63	622	140	155
RBNM80	81.30	10.60	7.20	22.35	88	867	195	210
RBNM90	124.46	12.70	12.70	33.00	136	1334	300	540



\*We test the holding force of magnetic assembly by attaching it on a 20mm thick steel sheet at room temperature and then pulling it slowly in vertical direction with the device that is sensitive enough to record the strength at the moment when magnetic assembly is separated from the steel sheet. This is to give you a reference where the actual holding force in real application could be different with the change of, for example, pulling direction, thickness of the surface etc.

# Ferrite flat pot magnet with through hole

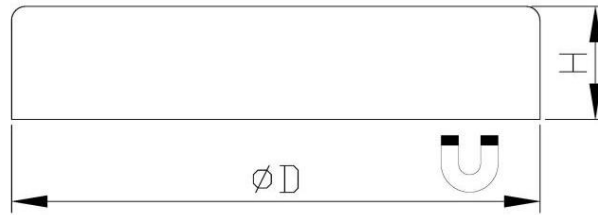


Item No.	D	H	d1	d2	Force			Weight
	mm	mm	mm	mm	Kg	N	Lbs	g
RBFB20	30.86	4.83	3.96	6.5	5	49	11	16
RBFB30	32.00	4.57	3.81	10.5	5	53	12	16.5
RBFB36	36.00	6.60	4.83	9.5	7	66	15	32
RBFB50	51.56	7.39	4.83	22	16	155	35	66
RBFB60	60.33	8.89	6.86	24	22	222	50	111.5
RBFB70	66.68	9.35	7.11	25.4	36	356	80	154
RBFB75	73.91	9.40	7.11	25.4	38	378	85	183
RBFB80	81.28	10.54	7.11	32	45	445	100	241.5
RBFB85	96.27	12.96	12.7	32	54	534	120	420
RBFB90	124.46	12.44	12.7	45	95	934	210	684



\*We test the holding force of magnetic assembly by attaching it on a 20mm thick steel sheet at room temperature and then pulling it slowly in vertical direction with the device that is sensitive enough to record the strength at the moment when magnetic assembly is separated from the steel sheet. This is to give you a reference where the actual holding force in real application could be different with the change of, for example, pulling direction, thickness of the surface etc.

# Ferrite flat pot magnet

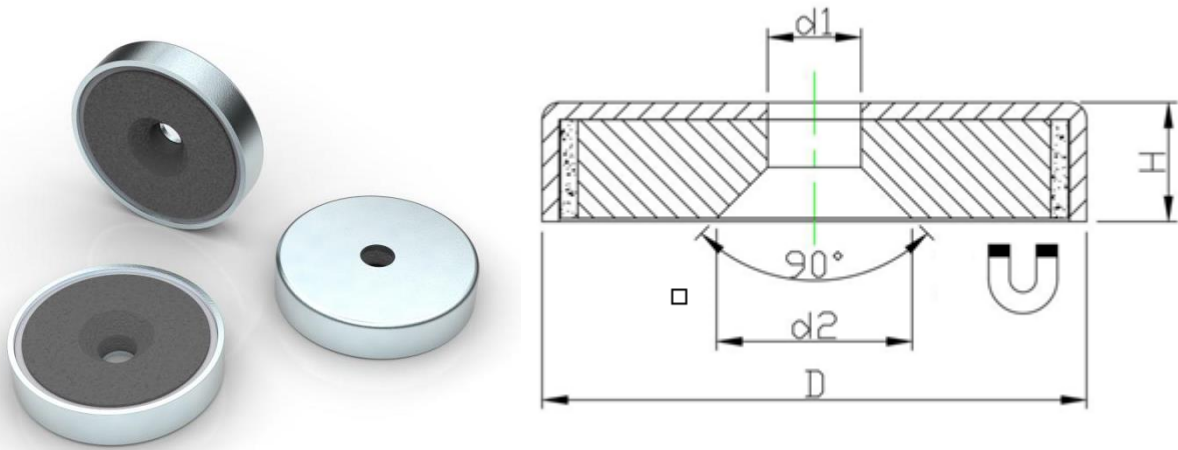


Item No.	D	H	Force			Weight
	mm	mm	Kg	N	Lbs	g
RBFE10	10	4.5	0.3	3	0.6	2
RBFE13	13	4.5	0.5	5	1.1	3
RBFE16	16	4.5	1.5	15	3.3	5
RBFE20	20	6	2.2	22	5	10
RBFE25	25	7	4	40	9	18
RBFE32	32	7	8	80	18	29
RBFE36	36	7.7	10	100	22	39
RBFE40	40	8	12	125	28	55
RBFE47	47	9	18	180	40	84
RBFE50	50	10	22	220	49	102
RBFE57	57	10.5	28	280	63	141
RBFE63	63	14	35	350	78	226
RBFE80	80	18	61	600	135	468
RBFE100	100	22	91	900	202	915

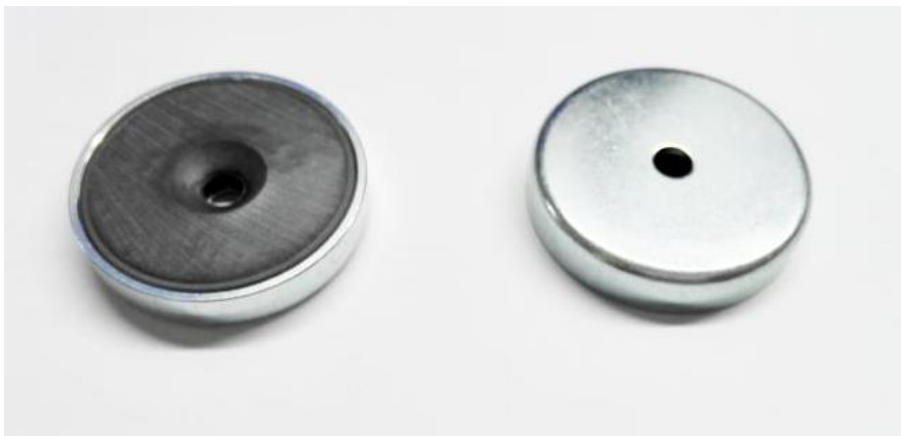


\*We test the holding force of magnetic assembly by attaching it on a 20mm thick steel sheet at room temperature and then pulling it slowly in vertical direction with the device that is sensitive enough to record the strength at the moment when magnetic assembly is separated from the steel sheet. This is to give you a reference where the actual holding force in real application could be different with the change of, for example, pulling direction, thickness of the surface etc.

## Ferrite pot magnet with countersunk hole



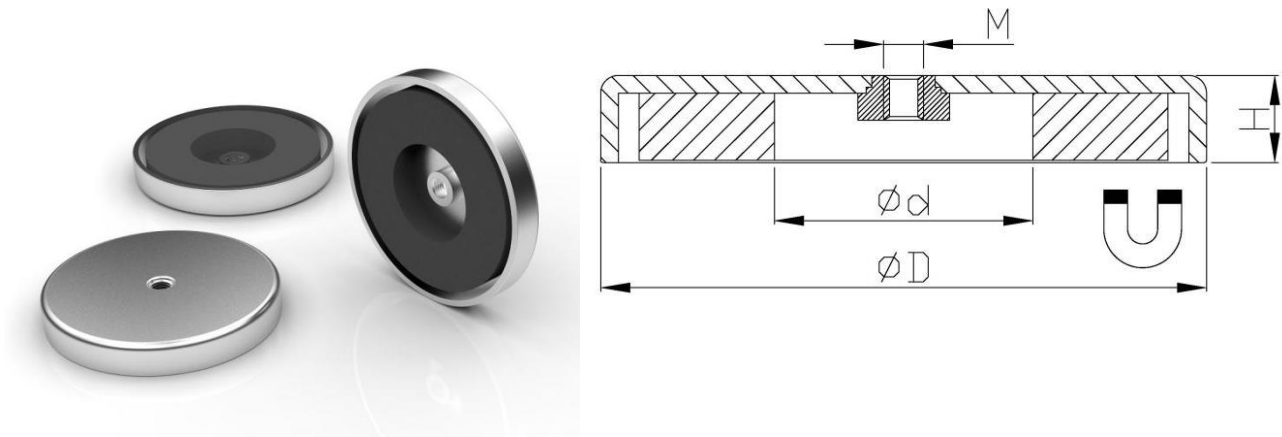
Item No.	D	d1	d2	H	Force			Weight
	mm	mm	mm	mm	Kg	N	Lbs	g
RBFC16	16	3.5	6.5	4.5	1.4	14	3.1	4
RBFC20	20	4.1	9.4	6	2.7	27	6	9
RBFC25	25	5.5	11.5	7	3.6	36	8	17
RBFC32	32	5.5	11.5	7	7.3	72	16.1	27
RBFC40	40	5.5	11.5	8	9.2	90	20.2	52



\*We test the holding force of magnetic assembly by attaching it on a 20mm thick steel sheet at room temperature and then pulling it slowly in vertical direction with the device that is sensitive enough to record the strength at the moment when magnetic assembly is separated from the steel sheet. This is to give you a reference where the actual holding force in real application could be different with the change of, for example, pulling direction, thickness of the surface etc.

02 Pot Magnet

# Ferrite flat pot magnet with clinch-nut

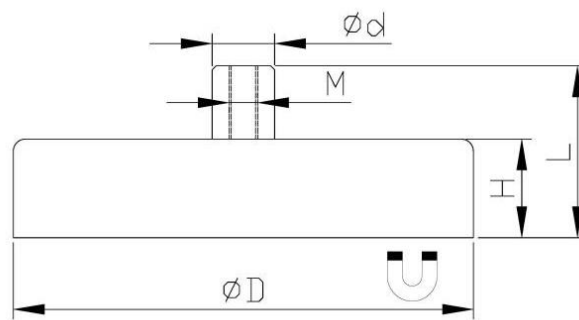


Item No	D	H	d	M	Force			Weight
	mm	mm	mm		Kg	N	Lbs	g
RBF50F-8-32	51.56	7.39	22	8-32	16	156	35	69



\*We test the holding force of magnetic assembly by attaching it on a 20mm thick steel sheet at room temperature and then pulling it slowly in vertical direction with the device that is sensitive enough to record the strength at the moment when magnetic assembly is separated from the steel sheet. This is to give you a reference where the actual holding force in real application could be different with the change of, for example, pulling direction, thickness of the surface etc.

# Ferrite flat pot magnet with internal threaded bush



Item No.	D	H	L	d	M	Force			Weight
	mm	mm	mm	mm		Kg	N	Lbs	g
TFE10F	10	4.5	11.5	6	M3	0.4	4	0.9	3
TFE13F	13	4.5	11.5	6	M3	1	10	2	4
TFE16F	16	4.5	11.5	6	M3	1.8	18	4	7
TFE20F	20	6	13	6	M3	3	30	6.7	14
TFE25F	25	7	15	8	M4	4	40	9	21
TFE32F	32	7	15	8	M4	8	80	18	33
TFE36F	36	7.7	16	8	M4	10	100	22	44
TFE40F	40	8	18	10	M5	12	125	28	59
TFE47F	47	9	17	8	M4	18	180	40	85
TFE50F	50	10	22	12	M6	22	220	49	111
TFE57F	57	10.5	22.5	12	M6	28	280	63	153
TFE63F	63	14	30	15	M8	35	350	78	247
TFE80F	80	18	34	20	M10	61	600	135	498
TFE100F	100	22	43	22	M12	92	900	202	956



\*We test the holding force of magnetic assembly by attaching it on a 20mm thick steel sheet at room temperature and then pulling it slowly in vertical direction with the device that is sensitive enough to record the strength at the moment when magnetic assembly is separated from the steel sheet. This is to give you a reference where the actual holding force in real application could be different with the change of, for example, pulling direction, thickness of the surface etc.