

## 08 Office Magnet

This group of products is mostly found being used in offices as stationery

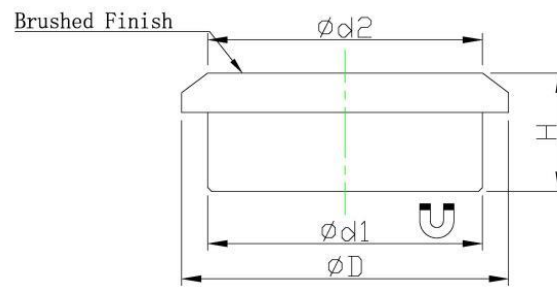
There are kinds of decorative magnets for office. The office magnets like memo fridge magnets and round whiteboard magnets feature smaller size (mostly), more colorful or shining finish, more decorative.



### PRODUCT INFORMATION

- 1) Used on whiteboards, fridges and memo-boards for attaching notes, messages, documents or paper in offices, classrooms, homes or factories.
- 2) Different strength, coating or colors can be offered. .
- 3) Retail blister package is possible.

# NdFeB memo magnet with brushed finish



Item No.	D	H	d1	d2	Force			Weight
	mm	mm	mm	mm	Kg	N	Lbs	g
M-CAPN16	16	7	12.5	12.5	5	49	11	8
M-CAPN22	22	9	18	18	8	80	17	18.5
M-CAPN25	25	9	21	21	13	130	28	25
M-CAPN30	30	9	27	26	21	210	46	40

Note: Retail packing can be fulfilled.



## Plastic handle memo magnet pick-up



Item No.	D	H	Color
	mm	mm	
PCRD30-R	30	62	RED



## Memo magnet pick-up with key ring



Item No.	D	H	STEEL
	mm	mm	
RDNE15X80R	15	80	430



## NdFeB memo magnet with handle, lathe machined



Item No.	D	H	d	Force			weight
	mm	mm	mm	Kg	N	Lbs	g
M-D12SEAL	12	16	8	1	10	2	9.5
M-D16SEAL	16	16	10	2	20	4	16
M-D20SEAL	20	25	12	4	40	9	33

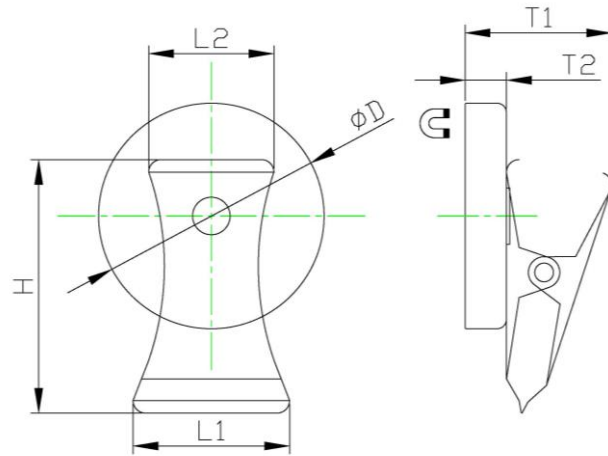
## NdFeB memo magnet with plastic case



Item No.	D	H	d	Force			weight
	mm	mm	mm	Kg	N	Lbs	g
PC12SEAL	12	20	7	0.8	8	1.7	4
PC19SEAL	19	25.5	10	1.5	15	3	8
PC29SEAL	29	38.5	12	2.3	23	5	20.5



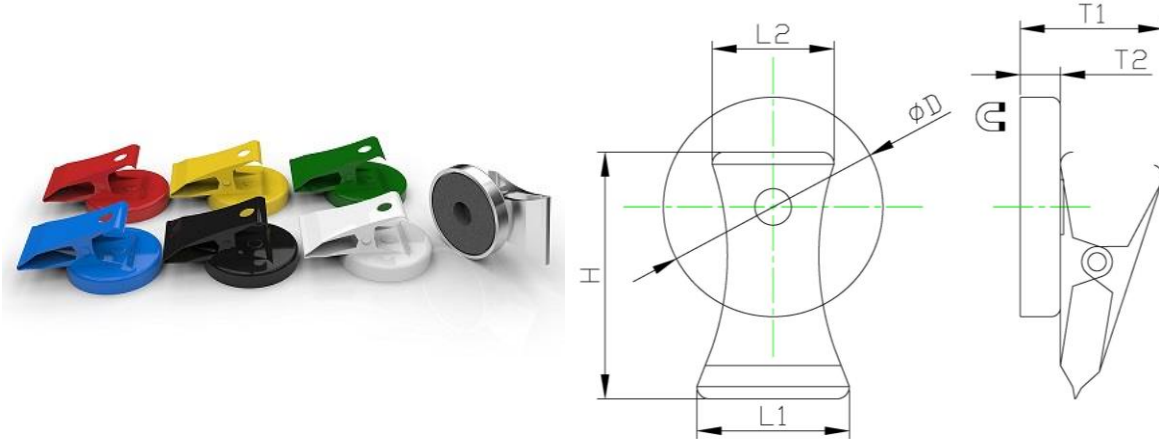
# Ferrite flat pot magnet with clip



Item No.	D	H	L1	L2	T1	T2	Force			Weight
	mm	mm	mm	mm	mm	mm	Kg	N	Lbs	g
RBFB36C-S	36	40	25	20	23.5	6.6	7	66	15	40



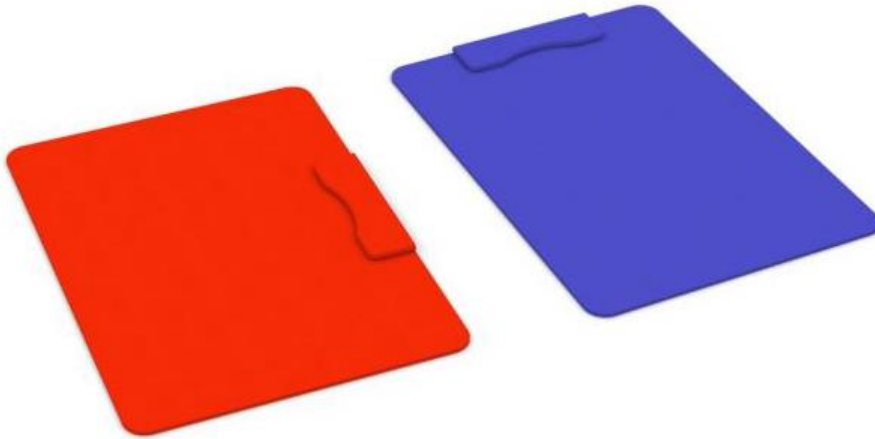
# Ferrite flat pot magnet with clip in different colors



Item No.	D	H	L1	L2	T1	T2	Force			Weight	color
	mm	mm	mm	mm	mm	mm	Kg	N	Lbs	g	
RBFB36C-B	36	40	25	20	23.5	6.6	7	66	15	40	Black
RBFB36C-W	36	40	25	20	23.5	6.6	7	66	15	40	White
RBFB36C-R	36	40	25	20	23.5	6.6	7	66	15	40	Red
RBFB36C-Y	36	40	25	20	23.5	6.6	7	66	15	40	Yellow
RBFB36C-G	36	40	25	20	23.5	6.6	7	66	15	40	Green
RBFB36C-BL	36	40	25	20	23.5	6.6	7	66	15	40	Blue



# NdFeB magnetic document holder



Item No.	Size	Orientation	Color
MG-3501BLH	A4	Landscape	Blue
MG-2501BH	A4	Landscape	Black
MG-3501BLV	A4	Portrait	Blue
MG-2501BV	A4	Portrait	Black

Note: Other colors are available upon request



# Magnetic foil with transparent sheet



Item No.	Size	Measurement	Opening
RML-A8W0.5mm	A8	99*66*0.5mm	upper side
RML-A6W0.5mm	A6	165*113*0.5mm	upper side
RML-A4W0.5mm	A4	314*224*0.5mm	upper and right-hand side
RML-A3W0.6mm	A3	438*314*0.6mm	upper and right-hand side

